



Order No. **500004330**  
Model No. **MPT-LS-AM**

Notes:

## Section 10309 - Manufactured Electric Fireplaces

### PART 1 GENERAL

#### 1.1 SECTION INCLUDES

- A. Manufactured electric fireplaces.
- B. Accessories

#### 1.2 RELATED SECTIONS

- A. Section 06100 - Rough Carpentry: Wood framed rough opening and enclosure.

#### 1.3 REFERENCES

- A. UL - 2021
- B. CSA - C22.2 No. 46

#### 1.4 SUBMITTALS

- A. Submit under provisions of Section 01300.
- B. Product Data: Manufacturer's data sheets on each product to be used, including:
  - 1. Preparation instructions and recommendations.
  - 2. Storage and handling requirements and recommendations.
  - 3. Installation methods.
- C. Manufacturer's Certificates: Certify products meet or exceed specified requirements.
- D. Manufacturer's warranty.

#### 1.5 DELIVERY, STORAGE, AND HANDLING

- A. Store products in manufacturer's unopened packaging until ready for installation.
- B. Protect materials from exposure to moisture. Do not deliver until after wet work is complete and dry.

#### 1.6 WARRANTY

- A. Provide the manufacturer's 2-year limited warranty on electrical components.

### PART 2 PRODUCTS

#### 2.1 ACCEPTABLE MANUFACTURERS

- A. Pre-fabricated Electric Fireplace:
  - 1. Base: Dimplex Electric Fireplace  
Glen Dimplex Americas  
1367 Industrial Road  
Cambridge ON N3H 4W3  
1-888-346-7539  
www.dimplex.com
  - 2. Substitutions not permitted
  - 3. Requests for substitutions will be considered in accordance with provisions of Section 01600.



Order No. **500004330**  
Model No. **MPT-LS-AM**

Notes:

## Section 10309 - Manufactured Electric Fireplaces

### 2.2 ELECTRIC FIREPLACES

#### A. General:

1. Provide all components and accessories required for a complete, functional unit.
2. cETLus listed file 4002964

#### B. Pre-fabricated Electric Fireplace:

1. Base Product:
  - a) Dimplex Electric Fireplace
  - b) Material Number: 500004330
  - c) Model Number: MPT-LS-AM
  - d) Regulatory model number: MPT-LS-AM
2. Description: Optimyst Mapleton Water Vapor Fireplace
3. Dimensions:
  - a) Width: 18-1/4" / 46.3 cm
  - b) Height: 38" / 96.5 cm
  - c) Depth: 17-1/2" / 43.8 cm
4. Weight:
  - a) Product Weight: 128.3 lbs / 58.2 kg
  - b) Packaged Weight: 178.6 lbs / 81 kg
5. Electrical:
  - a) Volts: 120 V (3-Wire)
  - b) Watts: 1150 W
  - c) Amps: 9.6 A
6. Venting: No venting (as for gas fire places is required)
7. Operation: Flame only, Flame and heat
8. Heating: Fan-forced heater
9. Standard features:
  - a) Flame effect produced by LED lights and fine mist
  - b) Adjustable flame and volume control
  - c) Safe, cool-touch surfaces, ideal for residential and commercial applications
  - d) Fan-forced heater and mist extractor



Order No. **500004330**  
Model No. **MPT-LS-AM**

Notes:

## Section 10309 - Manufactured Electric Fireplaces

10. Control options:
  - a) Multi-functional remote
  - b) Built-in power switch behind door
  
11. Other optional accessories:
  - a) Optimyst Mapleton Stove Flu Collar - MPLC

### PART 3 EXECUTION

#### 3.1 INSPECTION

- A. Do not begin installation until substrates have been properly prepared.
- B. If substrate preparation is the responsibility of another installer, notify Architect of unsatisfactory preparation before proceeding.
- C. Verify proper power supply is available.

#### 3.2 PREPARATION

- A. Clean surfaces thoroughly prior to installation.
- B. Prepare surfaces using the methods recommended by the manufacturer for achieving the best result for the substrate under the project conditions.

#### 3.3 INSTALLATION

- A. Install in accordance with manufacturer's instructions and requirements of authorities having jurisdiction.
- B. Use manufacturer's guidelines for minimum clearances to combustibles, walls, and finishes.
- C. Anchor all components firmly in position for long life under hard use.
- D. Upon completion of installation, visually inspect all exposed surfaces. Touch up scratches and abrasions with touch up paint recommended by the manufacturer; make imperfections invisible to the unaided eye from a distance of 5 feet (1.5 m).
- E. To use the mobile app, install it prior, onto your mobile device.
- F. Ensure that all electrical connections meet local electrical code requirements.

#### 3.4 PROTECTION

- A. Protect installed products until completion of project.
- B. Touch-up, repair or replace damaged products before Substantial Completion.

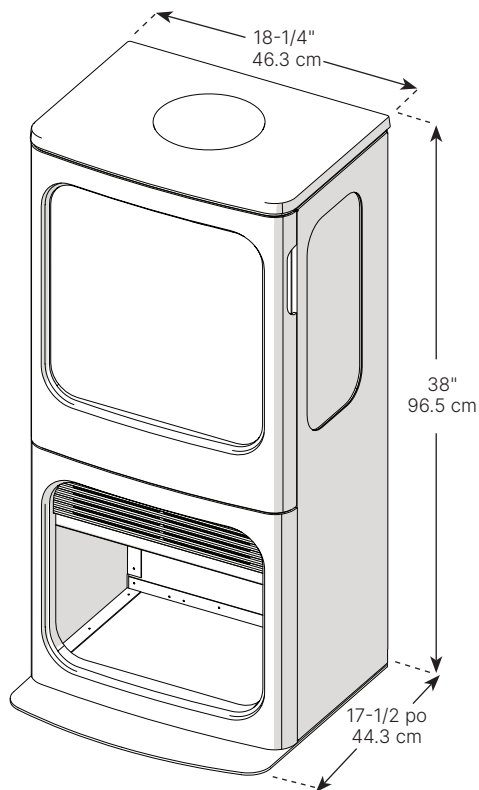
**END OF SECTION**



Order No. **500004330**  
Model No. **MPT-LS-AM**

Notes:

### Product Dimensions:



Product	A WIDTH (in/cm)	B HEIGHT (in/cm)	C DEPTH (in/cm)	VIEWING DIMENSION - WxH (in/cm)
MPT-LS-AM	18-1/4 (46.3)	38 (96.5)	17-1/2 (43.8)	14-3/4 x 13-3/8 (37.5 x 34)

**Fresh Air Intakes are located at the back of the unit. Keep 1/2" away from walls.**