



Hybrid Gas Oven User Manual
Models: OV-HYB
OV-HYBL



ATTENTION:

INSTALLER: PLEASE LEAVE THESE INSTRUCTIONS WITH THE CONSUMER.
CONSUMER: PLEASE READ & RETAIN THESE INSTRUCTIONS FOR FUTURE REFERENCE AND BEFORE INSTALLING OR OPERATING.

 **DANGER**

Never operate this appliance unattended.

If a fire should occur, keep away from the appliance and immediately call your fire department. Do not attempt to extinguish an oil or a grease fire with water.

Failure to follow these instructions could result in a fire, explosion, or burn hazard which could cause property damage, personal injury, or death.

If you smell gas:

- Shut OFF gas supply to the appliance.
- Extinguish any open flame.
- Open door.
- If odor continues, keep away from the appliance and immediately call your gas supplier or your fire department.

 **WARNING**

- Do not store or use gasoline or other flammable liquids or vapors in the vicinity of this or any other appliance.
- An LP cylinder not connected for use shall not be stored in the vicinity of this or any other appliance.

This appliance is designed as an “**ATTENDED APPLIANCE**”.
DO NOT leave this appliance burning when unattended.

WARNINGS

READ THIS MANUAL CAREFULLY AND COMPLETELY BEFORE USING YOUR OVEN TO REDUCE THE RISK OF:

Fire, burn hazard, personal injury or property damage, improper installation or servicing electric shock.

THIS PRODUCT IS DESIGNED FOR OUTDOOR USE ONLY

Improper installation, adjustment, alteration, service or maintenance can cause property damage, injury or death. Read this manual thoroughly before installation, use, or servicing of this product.

CODE AND SUPPLY REQUIREMENTS:

This oven must be installed in accordance with local codes and ordinances, or, in the absence of local codes, with the latest National Fuel Gas Code (ANSI Z 21.89:2023-CSA1.18-2023), or Natural Gas and Propane Storage and Handling Installation Code (CSA-B149.1)

IF YOU SMELL GAS:

Shut off all gas supply lines to the oven. Extinguish any open flames. Carefully open the door. Remember, it may be extremely hot! If odor continues, keep everyone away from the oven and immediately call your gas supplier or your fire department.

This appliance is designed as an “**ATTENDED APPLIANCE**”. **DO NOT** leave this appliance burning when unattended.

Minimum Ambient Operating Temperature:
0°F (-17.8 °C)

EXPLOSION HAZARD:

DO NOT use the oven as a storage area for flammable materials. Keep area clear and free from combustible materials, gasoline, and other flammable vapors and liquids. Failure to do so can result in death, explosion, or fire. An LP cylinder not connected for use shall not be stored in the vicinity of this or any other appliance.

The outdoor cooking hybrid gas appliance and its dedicated shutoff valve must be disconnected from the gas supply piping system during pressure testing of that system at test pressures in excess of .5 psi (3.5kPa).

The outdoor cooking hybrid gas appliance must be isolated from the gas supply piping system by closing its dedicated manual shutoff valve during any pressure testing of the gas supply piping system at test pressures equal to or less than .5 psi (3.5kPa).

WARNING

NEVER cover slots, holes, or passage in the oven bottom or cover an entire rack with material such as aluminum foil. Doing so blocks air flow through the oven and may cause carbon monoxide poisoning.

Aluminum foil linings may trap heat causing a fire hazard.

CALIFORNIA PROPOSITION 65

WARNING

This product is designed to operate with one of the following fuel sources: Liquid Propane or Natural Gas. The fuel used to operate this product, and the products of combustion of such fuel, can expose you to chemicals including Benzene which is known to the State of California to cause cancer, birth defects and other reproductive harm and Carbon Monoxide which is known to the State of California to cause birth defects or other reproductive harm. (For more information go to: www.p65Warnings.ca.gov.)

WARNING

Do not operate the wood and gas burners at the same time.

This unit is designed for **either wood or gas use - never both simultaneously.**

When using the **WOOD** burner, ensure that the burner covers are securely in place.
When using the **GAS** burner, the burner covers **must be removed** before operation.

Failure to follow these instructions may result in gas buildup inside the unit, creating a serious fire or explosion hazard.

TABLE OF CONTENTS

Warnings	2 & 4
Before Operating	5
Installation	6-7
Gas Requirements	8-10
Operation - Lighting the Oven	11
Operation & Maintenance Tips	12-13
Care & Cleaning	14
Line Drawings	15
Illustrated Parts	16
Replacement Parts	17
Warranty	18
Gas Pipe Sizing Chart	19

**PART #: OV-HYB
OV-HYBL**

(Natural Gas & Liquid Propane Gas Configurations)

For warranty information and to register your oven visit,
amddirect.com/register



To view on your phone, scan the QR code on your smart phone's camera app. (For Android devices, use Google Lens.)

THANK YOU

Thank you for your purchase. We'd like to welcome you to the Summerset Grills family of luxury outdoor kitchen products and look forward to being a part of your home for years to come. As a family business with over 20 years of industry experience, we aim to deliver exceptional quality and personal service. Welcome to the Summerset Grills family and we hope you love your new oven!

FOR YOUR RECORDS

Please record the following information and refer to it when contacting Summerset Grills or an authorized dealer. The serial number is located on the rating plate. The rating plate is located on the exterior basin of the oven (fire box) and on the underneath side of the drip tray (select models only).

INSTALLER

Please leave this manual for the owner

Serial Number: _____

Model: _____

Date of Purchase: _____

Place of Purchase: _____

WARNINGS

SAFETY AND INSTALLATION WARNINGS

- Please read all instructions before installation or operating your hybrid oven to prevent injury and appliance damage
- Do not operate the wood and gas burners at the same time. This unit is designed for either wood or gas use - never both simultaneously. When using the WOOD burner, ensure that the burner covers are securely in place. When using the GAS burner, the burner covers must be removed before operation. Failure to follow these instructions may result in gas buildup inside the unit, creating a serious fire or explosion hazard.
- The Hybrid Gas Oven is designed as a countertop or tabletop model only. It must be installed on a non-combustible surface and is not intended to be built into outdoor kitchen islands or cabinets.
- All hybrid ovens will get hot during use. Use extreme caution when operating the oven
- Do not touch hot surfaces. Always use an oven mitt when operating the handle to open or close the oven.
- Never use dented, rusty or damaged propane cylinders. Never store additional or empty propane cylinders in the oven cabinet or in the vicinity of this or any other appliance
- Close supervision is necessary when this or any appliance is used near children. Keep children away from the oven during operation and until the oven has cooled off
- Children should never be left alone or unattended in an area where a oven is located. Place your oven well away from areas where children play. Do not store items that may interest children in or around the oven, in the cart, or in the masonry enclosure
- Never move the oven when hot. When in use, portions of the oven are hot enough to cause severe burns
- Always maintain the required clearances from combustibles as detailed. The oven is designed for outdoor use only. Never use in a garage, building, shed, breezeway, or other enclosed area. Do not use this oven under any unprotected overhead combustible construction
- Hybrid ovens are not designed or certified for and are not to be installed in or on recreational vehicles, portable trailers, boats or any other moving installation
- Always have an ABC Fire Extinguisher accessible — never attempt to extinguish a grease fire with water or other liquids
- Storing your oven: Store your oven in a well-ventilated area. If stored indoors, detach and leave LP cylinder outdoors in a well-ventilated area away from heat and away from where children may tamper with it
- Do not repair or replace any part of the oven unless specifically recommended in this manual. Other service should be performed by a qualified technician
- If the oven is installed by a professional installer or technician, be sure that he/she shows you where your gas supply shut-off is located. All gas lines must have a shut-off that is readily and easily accessible. If you smell gas, check for gas leaks immediately. Check only with a soap and water solution. Never check for gas leaks with an open flame
- Do not twist the gas supply hose
- Inspect the L.P. gas supply hose prior to each use of the oven. If there is evidence of excessive abrasion or wear, or the hose is cut, it must be replaced before using the oven
- The use of accessories, regulators, or components not recommend by the appliance manufacturer may cause injuries and will void warranty
- Never light the oven with the door closed and be certain the burners are positioned and seated over the gas valves and on the burner support
- Never lean over the cooking surface when lighting or operating the oven
- Use oven tools with wood handles and insulated oven mitts when operating the oven
- Be sure the gas supplied to the oven conforms to the model you purchased. A natural gas oven requires natural gas to operate; a liquid propane oven requires liquid propane to operate
- Never connect the appliance to an unregulated gas supply line. Ovens operated without a regulator are unsafe and will not be serviced until installed properly and safely. Unsafe operation without a gas regulator will void the warranty
- Ovens operating with natural gas must be installed with the NG regulator supplied with the unit and set to 4.0" of water column pressure
- Ovens operating with Liquid Propane must be installed with an LP regulator and set to 11" of water column pressure
- The oven is not intended for commercial use.
- This appliance is not intended for and should never be used as a heater.
- Keep the fuel supply hose away from any heated surface(s).

BEFORE OPERATING

UNPACKING YOUR OVEN

CHECK FOR SHIPPING DAMAGE:

VISIBLE DAMAGE

If your shipment arrives with visible damage to the box/carton, be sure the damage is noted on the bill of freight or express receipt and signed by the person making the delivery. File claim for damages immediately, regardless of the extent of damage.

CONCEALED DAMAGES

If damage is discovered after unpacking the oven, immediately notify the dealer where you purchased the unit and the transportation company or carrier. File a concealed damage claim with them within five (5) days of the delivery date. Retain the box or carton for inspection. Please note, we cannot assume responsibility for damage or loss incurred during transit.

WARNING

An appliance is considered to be outdoors if installed with shelter no more inclusive than with walls on three sides, but with no overhead cover; all openings shall be permanently open; sliding doors, garage doors, windows, or screened openings are not considered permanent openings.

An appliance is considered to be outdoors if installed with shelter no more inclusive than within a partial enclosure that includes an overhead cover and no more than two sidewalls. The sidewalls may be parallel, as in a breeze-way, or at right angles to each other; all openings shall be permanently open; sliding doors, garage doors, windows, or screened openings are not considered as permanent openings.

An appliance is considered to be outdoors if installed with shelter no more inclusive than within a partial enclosure that includes an overhead cover and three sidewalls, as long as 30% or more of the horizontal periphery of the enclosure is permanently open; all openings shall be permanently open; sliding doors, windows, or screened openings are not considered as permanent openings.

IMPORTANT NOTES:

BE MINDFUL OF WIND

Extremely windy conditions can affect the performance of your oven. If the temperature gauge fails to rise while all burners are on high and the door is closed, exercise caution. Prolonged operation under such conditions may cause the control panel and knobs to become extremely hot. The oven relies on proper airflow to function safely and efficiently, so avoid using it during very windy conditions.

GAS LINE LENGTH

Keep all gas supply lines as short as possible. Gas lines lose pressure over distance and with each elbow or "T" fitting added. This drop in pressure affects oven performance.

**See Gas Pipe Sizing Chart on page 21*

PROPER LEVELING

PROPER LEVELING DURING INSTALLATION IS CRITICAL. AN OVEN THAT IS OUT OF LEVEL WILL CAUSE ERRATIC BURNER COMBUSTION AND INEFFICIENT, UNEVEN HEATING. THE OVEN SHOULD BE LEVEL IN ALL DIRECTIONS. ADJUSTMENTS MAY NEED TO BE MADE EACH TIME WHEN MOVING A FREESTANDING UNIT.

CONSTRUCTION ZONES

Keep all stainless steel products away from construction zones. Construction debris such as (but not limited to) stone dust, stucco, and lime dust could damage or permanently discolor stainless steel products. Keep all caustic chemicals including chlorine and pool cleaning products away from stainless steel at all times.

INSTALLATION

OVERALL PRODUCT DIMENSIONS

HYBRID OVEN MODEL NUMBER	A: WIDTH	B: DEPTH	C: HEIGHT
OV-HYB OV-HYBL	25"	25-3/4"	21"

Table 1

MINIMUM OVEN CLEARANCES:

Minimum clearances between the oven and any side wall or rear wall must fall within one (or more) of the following:

Clearance from the oven and a non-combustible wall

(i.e. brick wall, see Figure. 2). The oven requires a minimum of 2" clearance from the right side, left side and rear (back) of the oven from any non-combustible wall. This allows for proper ventilation and helps prevent dangerous overheating.

If a non-combustible backsplash exists, it must have a minimum of a 2" clearance from the rear of the oven (to allow for proper ventilation and help prevent dangerous overheating. Clearance Figure 2).

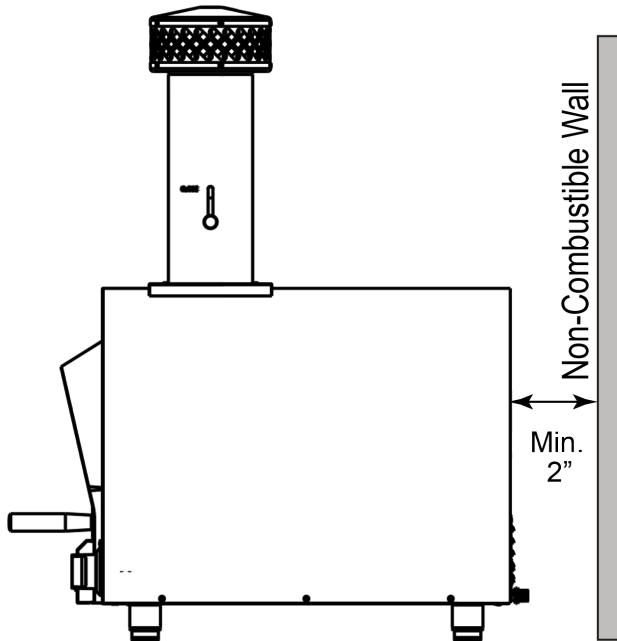


Figure 2

IMPORTANT NOTE:

This 2" backsplash clearance must first be met prior to any non-combustible walls beginning behind it.

The oven must have a minimum of 14" clearance from the right side, left side and rear (back) of the oven from a protected combustible wall. Refer to Figure 3.

Clearance from the oven and protected combustible wall

(i.e. A non-combustible wall in front of a combustible wall to serve as a barrier. This can be accomplished by brick or a metal stud finished with non-combustible substrate. See Figure 3). The oven must have a minimum of 10" right, left and rear clearance from the protected combustible wall. (2" non-combustible material clearance, plus an additional 8" clearance between the oven and protected wall.)

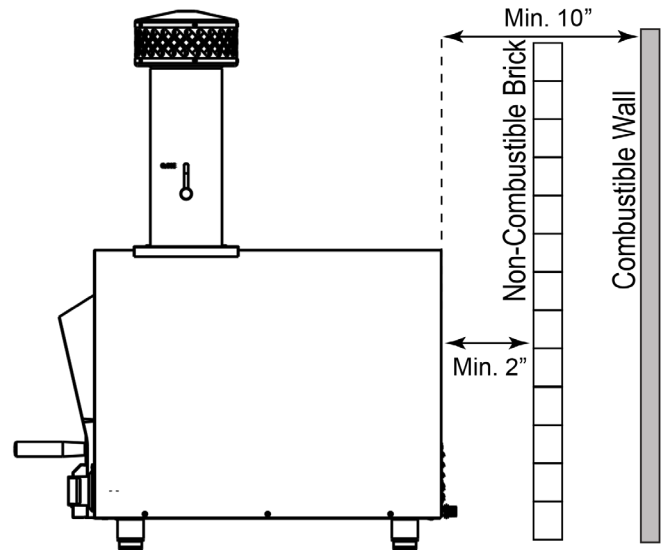


Figure 3

Clearance from the oven and combustible wall

(Clearance Figure 4). The oven must have a minimum clearance of 16" from the right side, left side and rear of the oven to any combustible wall.

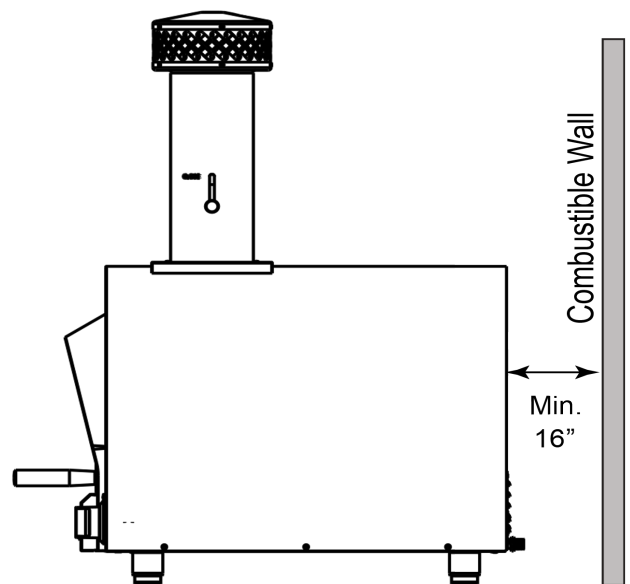


Figure 4

INSTALLATION

OVERHEAD CONSTRUCTION AND EXHAUST HOOD REQUIREMENTS

This oven is designed for outdoor use only.

DO NOT use this oven inside a building, garage, or enclosed area.

DO NOT use this oven in or on a recreational vehicle or boat.

When installing this oven in a combustible surround, a Summerset Grills insulating jacket/oven liner must be used.

A minimum five (5) foot clearance is required between the countertop and the overhead construction.

When the oven is installed under a combustible overhead construction, the area above the cooking surface of the oven must be used with an exhaust hood. The exhaust hood provides the protection for the combustible overhead construction. See Figure 5.

IMPORTANT NOTE:

- DO NOT use this appliance under unprotected combustible overhead construction.
- When installed under overhead non-combustible construction, an exhaust hood is highly recommended.

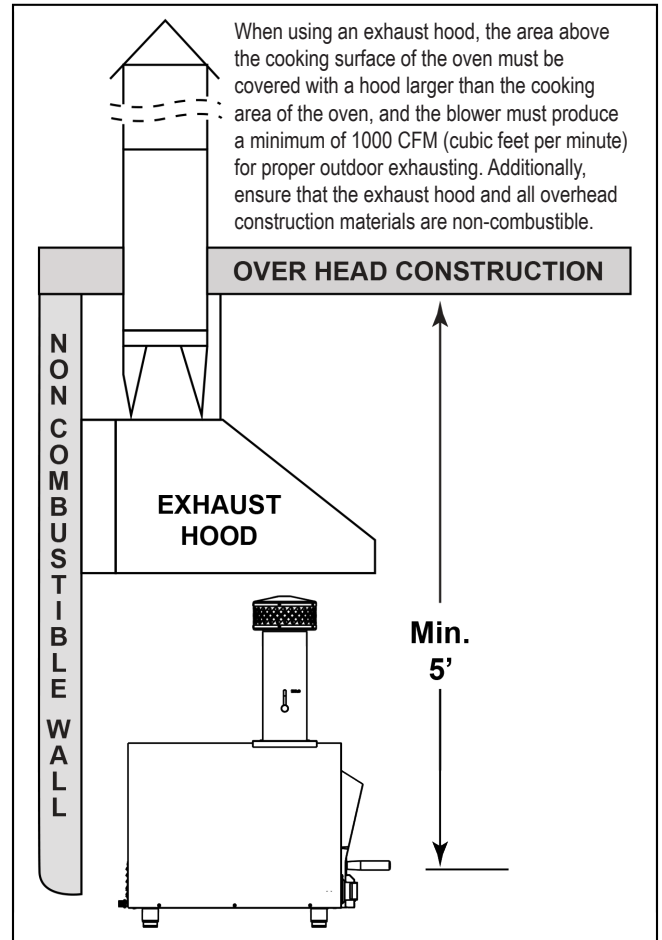
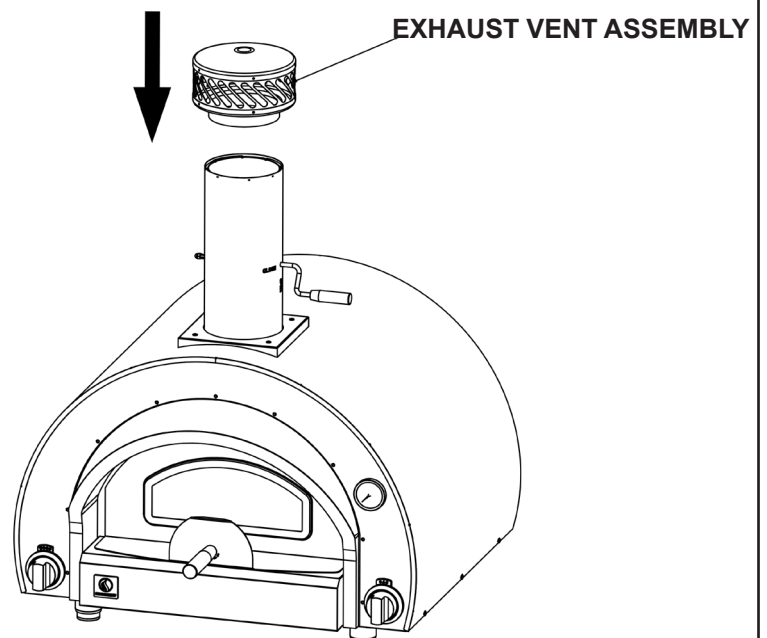
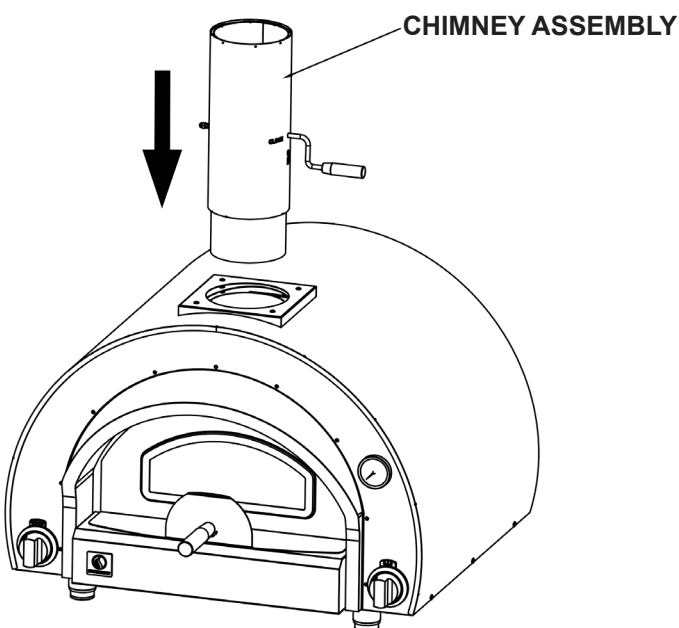


Figure 5

CHIMNEY AND EXHAUST VENT INSTALLATION



GAS REQUIREMENTS

WARNING

GAS LINES

Never connect a gas line directly to the oven. A pressure regulator must be installed on all gas equipment. Removing or failing to install the pressure regulator can result in fire and serious personal injury and will void the warranty

GAS PRESSURE REQUIREMENTS

Ensure the gas supplied meets the minimum pressure requirements. See Table 3 for gas requirements measure in Water Column (W.C.) pressure.

Pressure	Natural Gas	Propane Gas
Min. Inlet	4.0" WC (1.00.kPa)	10.0" WC (2.49 kPa)
Max. Inlet	7.0" WC (1.74 kPa)	14.0" WC (3.48 kPa)

Table 3

NOTE: Both the regulator and burner orifices have been tuned for the type of gas specified on the rating plate.

NATURAL GAS REQUIREMENTS

- Summerset Grills recommends that only qualified professionals perform the required plumbing on this product.
- Check the Rating Plate to make sure the gas supply you are hooking up to is the gas type the oven is manufactured for.
- To ensure satisfactory performance, the gas supply line must be sized to accommodate the total BTU requirements of all the gas-fired equipment that will be connected to that line.
- In no case should pipe less than 1/2" inside diameter or 1" outside diameter ever be used to connect this product.

CONNECTING TO THE NG REGULATOR

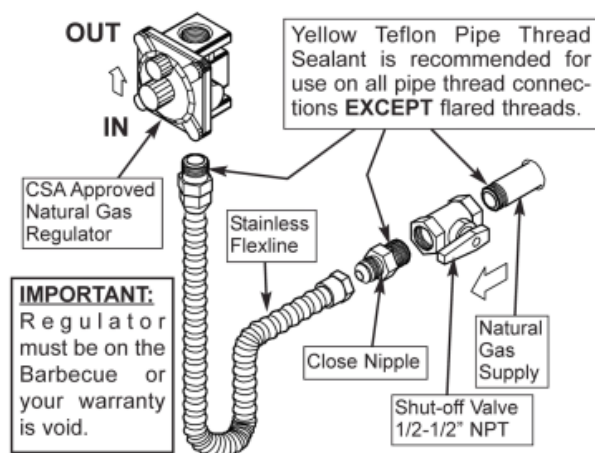


Figure 6

NOTE: DO NOT use any tape, pipe dope or threading compound on any flare fitting. This will cause a clog in the regulator and prevent your oven from functioning properly.

MAIN BURNER BTU INFORMATION

Burner Type	OV-HYB	OV-HYBL
Main Burner(s) BTU	49,000	49,000

Table 4

GAS REQUIREMENTS

SAFE USE AND MAINTENANCE OF PROPANE GAS CYLINDERS

IMPORTANT FOR YOUR SAFETY
READ AND FOLLOW ALL WARNINGS PROVIDED WITH THE PROPANE GAS CYLINDER.
When operating a Propane gas cylinder, these instructions and warnings **MUST** be observed.
FAILURE TO DO SO MAY RESULT IN A SERIOUS FIRE OR EXPLOSION

CYLINDER/CONNECTOR REQUIREMENTS

- a. Propane gas cylinders, valves and hoses must be maintained in good condition and inspected before each use of an appliance. They must be replaced if there is any visible damage. If the hose is cut or shows any excessive abrasion or wear, it must be replaced before using the appliance. (See section e.)
- b. This unit, when used with a portable cylinder, should be connected to a standard 5-gallon (20 lb.) propane gas cylinder equipped with a listed overfilling prevention device.
- c. Cylinder dimensions should be approximately 12" (30.5cm) in diameter and 18" (45.7cm) high. Cylinders must be constructed and marked in accordance with the U.S. Department of Transportation (D.O.T.) Specifications for LP-Gas Cylinders, or the standard for Cylinders, Spheres, and Tubes for Transportation of Dangerous Goods and Commission, CAN/CSA-B339, as applicable.
- d. The cylinder used must include a collar to protect the cylinder valve, and the cylinder supply system must be arranged for vapor withdrawal.
- e. The pressure regulator and hose assembly used must match the specification for Type I by ANSI Z 21.89:2023-CSA1.18-2023 (See Figure 7)
- f. The propane gas cylinder valve must be equipped with a cylinder connection device, described as Type I in the standard defined in paragraph "e" above. This device is commonly describes as an Acme thread coupler.
- g. If the propane gas cylinder comes with a dust cap, place the dust cap on the cylinder valve outlet whenever the cylinder is not in use.

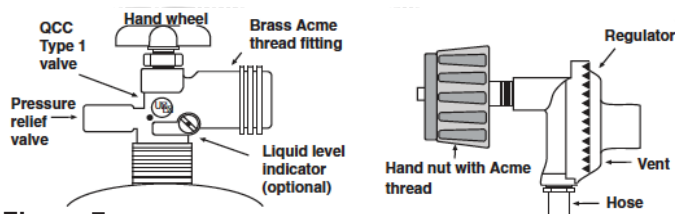


Figure 7

COUPLER OPERATION

To connect the regulator/hose to the Propane gas cylinder valve fitting:

Press the hand nut on the regulator over the Acme thread fitting on the cylinder valve. Turn the hand nut clockwise to engage the threads and tighten until snug. The pliers of a wrench should not be necessary. Only cylinder marked "Propane" may be used.

To Disconnect:

Turn the hand nut counterclockwise until detached. See Figure 7.

IMPORTANT: Before using the unit, and after each time the cylinder is removed and reattached check the hose for wear (See section "a") and check all connections for leaks. Turn OFF the unit valves and open the main cylinder valve, then check connections with soapy water. Repair any leaks before lighting the unit.

CAUTION: Always turn the Propane cylinder main valve OFF after each use, and before moving the unit and cylinder or disconnecting the coupling. This valve must remain closed and the cylinder disconnected while the appliance is not in use, even though the gas flow is stopped by a safety feature when the coupler is disconnected.

Carefully inspect the hose assembly each time before the gas is turned ON. A cracked or frayed hose must be replaced immediately.

If the appliance is stored indoors, the cylinder must be disconnected and removed. Disconnected cylinders must be stored outdoors, out of reach of children, with threaded valve plugs tightly installed, and must not be stored in a building, garage, or any other enclosed area.

FOR YOUR SAFETY

- DO NOT store a spare Propane gas cylinder under or near this appliance.
- NEVER fill the cylinder beyond 80% full.
- IF THE INFORMATION IN SECTIONS "a" AND "b" IS NOT FOLLOWED EXACTLY, A FIRE CAUSING DEATH OR SERIOUS INJURY MY OCCUR.

GAS REQUIREMENTS

CONNECTING TO A SIDE BURNER

You will need a 'T' adapter fitting (not provided) or similar connection to connect a single gas line to both a side burner and an oven. We recommend a licensed gas technician install all gas lines. See below Figure 8 for installation of a 'T' adapter.

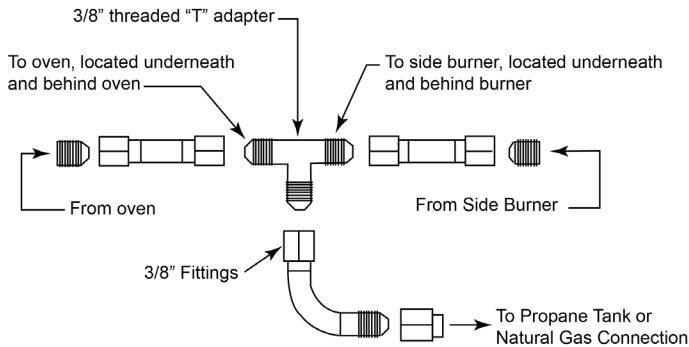


Figure 8

IMPORTANT:

Ventilation is required in the enclosure and recommended on opposite sides. Liquid Propane is heavier than Natural Gas and vents should be located near the bottom of the enclosure. In some applications, there will be free air space at the bottom of the enclosure which can act as the ventilation.

TESTING FOR LEAKS

Create a soapy water solution of 1 part soap and 3 parts water. Confirm that all control knobs are in the off position. Turn on the fuel supply.

For Natural Gas, turn the valve handle $\frac{1}{4}$ turn to align with the gas flow. For LP, turn the cylinder valve counter clockwise one full rotation. Apply the soap solution generously by paint brush or squirt bottle on all connections and fittings. If bubbles appear to grow on any of the connections, you have a gas leak. IMMEDIATELY turn OFF the gas supply. Wash off the soapy solution with cold water and dry. Tighten the loose joint or replace the faulty part with manufacturer-recommended replacement parts.

DO NOT attempt to repair the LP cylinder valve if it is damaged. The only way to safely resolve a damaged cylinder is to replace it by calling an authorized gas appliance service technician or an LP gas dealer. Repeat the leak test to ensure that no leaks are present. Do not use the appliance until the leak is corrected.

LIQUID PROPANE INSTALLATION OPTIONS

LP gas oven models are designed for use with a standard 20 lb. liquid propane gas (LP) tank with type (1) valve connections (Not included).

A dented or rusty LP tank may be hazardous and should be avoided. If in doubt, have it checked by your LP supplier. Always check for leaks after every LP tank change (See Testing For Leaks).

LP Tanks must be stored outdoors in a well-ventilated area out of the reach of children. If your oven is stored indoors, the LP tank must be stored outside, in upright position and away from excessive heat.

A professional plumber or Gas technician can adapt an LP gas oven to your home's bulk LP gas supply. However, some say that connecting an oven to a home propane tank is not recommended because of the risk of losing large amounts of propane. Even if you turn off the gas supply, leaks can still happen, and pests like squirrels and mice are known to chew on propane lines.

IMPORTANT:

All installation and all installation parts must conform to local codes, ANSI Z223.1/ NFPA 70 latest edition and the National Fuel Gas Code ANSI Z223.1/NFPA 54 in the U.S. and CGA-B149.1/.2 in Canada

PROPANE GAS TANK REQUIREMENTS

FILLING AND REFILLING LP GAS CYLINDERS

All purging and refilling of LP gas cylinders must be performed by qualified personnel in the LP gas industry. Never store a spare LP gas cylinder under or near this appliance.

Never fill the LP gas cylinder beyond 80 percent full. Failure to follow these instructions may result in explosion, personal injury or death.

OPERATION - LIGHTING THE OVEN

READ INSTRUCTIONS BEFORE LIGHTING

PIEZO SPARK IGNITION

CAUTION: Keep your face and body away from the oven top when lighting.

Open the door before lighting; do not attempt to ignite burners while door is closed.

Make sure gas supply is turned ON.

Make sure burner control knobs are in the “OFF” position. DO NOT turn on more than one valve at a time for initial ignition.

1. Press in the control knob then slightly turn the knob counterclockwise while still pressing inward.
2. Hold in the above position for 5 seconds allowing the gas to reach the manifold.
3. While pressing the knob and turning it, you will hear a clicking sound from the piezo ignition.
4. If burner does not light in 5 seconds, turn the burner control(s) OFF, wait 5 minutes, and repeat steps 1-3. Gas may need to be primed several times to fill gas manifold ignition.
5. After ignition, set the knob to the desired setting.

READ INSTRUCTIONS BEFORE LIGHTING

MANUAL (MATCH LIGHT) IGNITION

CAUTION: Keep your face and body away from the oven top when lighting.

Open the door before lighting; do not attempt to ignite burners while door is closed.

Make sure gas supply is turned ON.

Make sure burner control knobs are in the “OFF” position. DO NOT turn on more than one valve at a time for initial ignition.

1. Follow steps 1-3.
2. Place either a burning long-barrel butane lighter or a burning long-stem match near the main burner to the right and back interior walls of the oven. For the wood burner, hold the flame near the surface of the wood burner.
3. While holding the lighter or match flame near the burner, depress the appropriate control knob. While pressing, turn the knob counterclockwise to the HIGH position. Once the burner ignites, remove the lighter or match and release the control knob.
4. If burner does not light in 5 seconds, turn the burner control(s) OFF, wait 5 minutes, and repeat steps 1-3. Gas may need to be primed several times to fill gas manifold ignition. After ignition, set the knob to the desired setting.

SHUT OFF INSTRUCTIONS

1. To shut OFF the oven, depress each valve control knob and while pressing, turn clockwise to the “OFF” position.
2. Always close the valve from the gas supply after each use of the oven.

This appliance is designed as an “**ATTENDED APPLIANCE**”.
DO NOT leave this appliance burning when unattended.

Check and clean burner/venturi tubes for insects and insect nests. A clogged tube can lead to a fire beneath the oven.

OPERATION & MAINTENANCE TIPS

⚠️ IMPORTANT SAFETY NOTICE ⚠️

- Proper use of Ash Cover -

Your oven is designed for both wood and gas fuel sources. To ensure safe and proper operation:

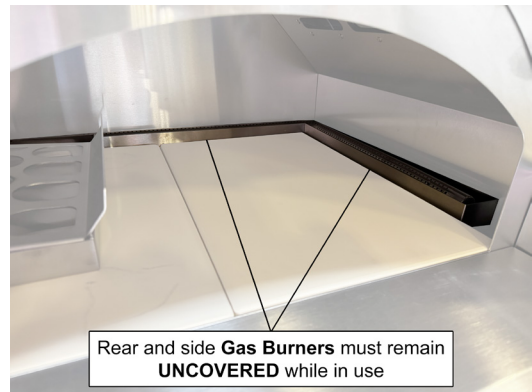
WHEN USING WOOD:

Keep the ash cover ON the gas burner. This protects the burner from ash and debris.

WHEN USING GAS:

REMOVE the ash cover from the gas burner before igniting gas.

Failure to follow these instructions may result in the unit overheating, damage to the unit, or personal injury.



PRE-HEATING THE OVEN

Pre-heating your oven every time you use it is extremely important. Pre-heating allows the burners to properly heat up, providing more even and more consistent cooking results. Pre-heat your oven by igniting all main burners. Then close the door and allow the oven to heat for 10 to 15 minutes, the door thermometer should reach approximately 575°F (300°C) (temperature is average temperature based on gas-only application) or your desired pre-heat temperature

SHUT OFF INSTRUCTIONS

1. To shut off the unit, depress each valve control knob and while pressing turn clockwise to the "OFF" position.
2. Always close the valve from the gas supply after each use of the unit.

NOTE:

When using a portable propane tank: Propane tanks are equipped with a safety shutdown device that may cause low or no gas pressure/ flame at the burners if operating and lighting instructions are not followed exactly.

MAINTENANCE TIPS

Stainless steels need to be cleaned for aesthetic considerations and to preserve corrosion resistance. Stainless steel is protected from corrosion by a thin layer of chromium oxide. Oxygen from the atmosphere combines with the chromium in the stainless steel to form this passive chromium oxide film that protects from further corrosion.

MONTHLY INTERIOR CLEANING

- Turn oven on high for 15 minutes, close the door like "self-cleaning ovens" to burn up and break down any interior buildup of greases and food residue.
- Let oven cool down for roughly 90 minutes.
- Wipe down interior walls around back burner and side walls using a degreaser or stainless steel cleaner for ovens and ovens.
- Lightly brush off the burners with a stainless or steel brush. Clean out the holes on the burner, making sure none are clogged.
- Use a stainless or steel brush or putty knife to scrape down the interior basin of the oven.
- Using some type of shop vac, vacuum out the residue from the bottom basin of the oven.
- After each use burn off debris and brush clean.
- Do not use any cleaning chemicals on the oven stone.
- Clean the oven stone with water only.

RUST INFORMATION

Rust-like brown spots on stainless steel form when oxygen comes into sustained contact with iron, a process called oxidation. This occurs when water, from rain or humidity, delivers oxygen to the metal. Carbon dioxide in the air combines with water to create a weak carbonic acid, which breaks down into hydrogen and oxygen, causing rust-like deposits on the surface. These deposits can form in the pores of the stainless steel, especially in architectural crevices like polished welds and edges that trap liquids. Once these spots form, they can trap more liquids and worsen over time.

MAINTENANCE TIPS

EXTERIOR STAINLESS STEEL CLEANING

- Fill a bucket with warm water and soap (Dawn or Simple Green).
- Using a microfiber towel or sponge moistened with soapy water, wipe down the surface of the oven following the grain of the metal as you clean.
- Rinse completely with clean water.
- Dry with a microfiber towel.
- Using Barry's Restore All, Bar Keepers Friend, Zep or other quality stainless steel cleaners helps to protect the porous stainless-steel surface from discoloration.
- Covering oven using an oven cover, when not in use, is a great way to protect the exterior.

Cleaning the combustion chamber

The hybrid oven utilizes pyrolysis, a self-cleaning process that breaks down organic materials using intense heat (pyro = "fire," lysis = "breaking down"). By maintaining a temperature of 932°F (500°C) for 2-3 minutes, organic residue is converted into volatile compounds. Avoid cleaning the combustion chamber with abrasive sponges or acidic/basic cleaners, as these could damage the oven's structure.

Cleaning the cooking floor

After completing the pyrolysis process, allow the oven to cool before removing any food debris using a brush and a damp cloth. It's recommended to clean the oven floor after each use.

REMOVE RUST LOOKING STAINS OR SPOTS

- Mix 1 tablespoon of baking soda in 2 cups of water.
- Rub the baking soda solution on the rust stain using a toothbrush, being careful to go with the grain of the stainless steel. If the stain is persistent, add vinegar, little by little, to a cup of baking soda until you have a consistent paste. Wipe the spot with paste and rinse with a wet microfiber towel. Making certain you always wipe in the direction of the grain of the stainless steel.
- When stain is removed, wash entire surface with the soap solution mentioned above. For grease build up, use Zep on the exterior surface to remove.

Cleaning the exterior

The hybrid oven, like all stainless steel and powder-coated products, are designed to endure harsh weather conditions, including salt air exposure, provided regular and proper maintenance is performed. To clean stainless steel surfaces, use a soft cloth with a solution of water and mild soap, or a mix of baking soda and dish detergent. Always clean gently and only when the oven is completely cool. Avoid acidic or alkaline cleaners and ensure any cleaning product used is certified and matches its declared components.

IMPORTANT: Verify that the cleaning products you use are certified and suitable for the materials.

NOTE: Stainless steel exposed to high temperatures or direct flames may develop surface discoloration, which is a natural characteristic of the material.

WARNING:

Never use a garden hose, high-pressure water source, or streaming water supply to clean the interior of the oven. Doing so may damage the unit and compromise safety.

IMPORTANT NOTE: FOR LOCATIONS NEAR COASTAL AREAS AND POOLS:

The stainless steel materials used in the construction of your Hybrid Oven are highly rust resistant, however, chlorine in the air from swimming pools or the salt from sea air may cause surface rust to appear and even create some pitting if left on the product. Here are a few tips to avoid this if instructions are not followed exactly.

- *Regularly wipe down the exterior surfaces with a damp cloth (micro fiber towels work well).*
- *Allow the surfaces to dry before installing the cover. Do not cover a damp oven.*
- *In extreme environments apply a rust inhibitor which leaves a microscopic protective layer on the oven.*
- *For seasonal storage use the product referred to above, ensure the oven is dry, then cover and secure the cover to minimize the amount of damp air getting to the surfaces.*

After your first use, certain areas of the oven may discolor from the intense heat given off by the burners; this is normal and cannot be cleaned off. For light and heavy food stains there are many different stainless steel cleaners available.

CARE & CLEANING

INITIAL CLEANING AFTER INSTALLATION

- When first installed, remove all protective plastic as soon as possible.
- Clean the exterior stainless steel with stainless steel cleaner (Barry's Restore All, Bar Keeper's Friend, Zep, or others) right after installation.
- Clean the exterior regularly.
- Turn on all burners for 10 minutes to burn off any production oils inside the oven.
- Interior cleaning is suggested at a minimum of once per season (using Simple Green) and an annual deep interior cleaning.

MONTHLY INTERIOR CLEANING

- Turn the oven on high for 15 minutes and close the door, similar to self-cleaning ovens, to burn up and break down any interior buildup of grease and food residue.
- Let the oven cool down for roughly 90 minutes.
- Wipe down the interior walls around the burner and side walls using a degreaser or stainless steel cleaner for ovens.
- Inspect the bottom burners. Lightly brush them off with a stainless steel brush, and clean out the holes in the burners, ensuring none are clogged.
- Use a stainless steel brush or putty knife to scrape down the interior basin of the oven.
- Using a shop vac, vacuum out the residue from the bottom basin of the oven.
- If desired, hose out the inside of the oven and let it dry.
- After each use, burn off debris and brush clean.
- Do not use any cleaning chemicals on the oven stone.
- Clean the oven stone with water only.

EXTERIOR STAINLESS STEEL CLEANING

- Fill a bucket with warm water and soap (Dawn or Simple Green).
- Using a microfiber towel or sponge moistened with soapy water, wipe down the surface of the oven following the grain of the metal as you clean.
- Rinse completely with clean water.
- Dry with a microfiber towel.
- Using Barry's Restore All, Bar Keeper's Friend, Zep, or other quality stainless steel cleaners helps to protect the porous stainless steel surface from discoloration.
- Covering the oven with an oven cover when not in use is a great way to protect the exterior.

RUST INFORMATION

Rust-like brown spots are formed when oxygen comes into sustained contact with iron in a process called oxidation. Oxygen is delivered to the metal from water, either from liquid water or water vapor (rain or humidity). Carbon dioxide in the air combines with the water to form a weak carbonic acid, which breaks down into hydrogen and oxygen. This process, along with some of the minerals and other particles in the air, can form rust-like deposits on the surface of the porous stainless steel, resulting in brown spots. Another cause is that free oxygen bonds with the dissolved minerals and other particles in the air to form iron oxide, or rust-like spots, in the pores.

Rust-like brown spot formations can also be encouraged by architectural crevices, such as the polished welds and edges of the metal surface, that can trap liquids. Once rust-like brown spots form, the porous surface can trap additional liquids, leading to further deposits on the stainless steel surface.

Regularly cleaning the exterior surface with a stainless steel cleaner, by spraying it on a clean microfiber towel or cloth and wiping off the entire outside surface, can help clean the pores. This regular cleaning should help keep the stainless steel looking new, similar to waxing the paint surface of a car.

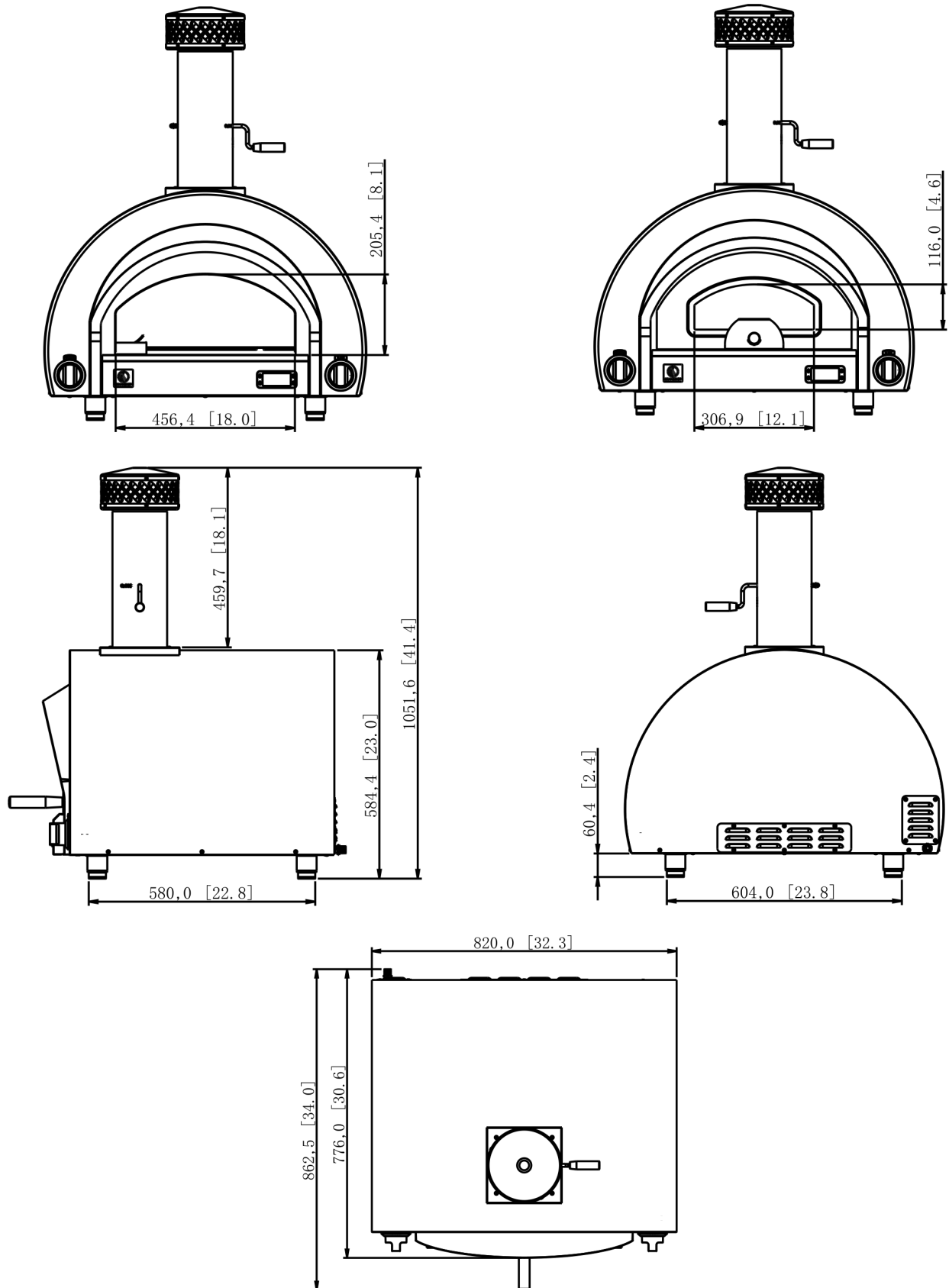
The purchase and use of top-rated stainless steel cleaners and polishers, along with stainless steel finish restoration cleaners and refinishers, may be necessary.

REMOVE RUST LOOKING STAINS OR SPOTS

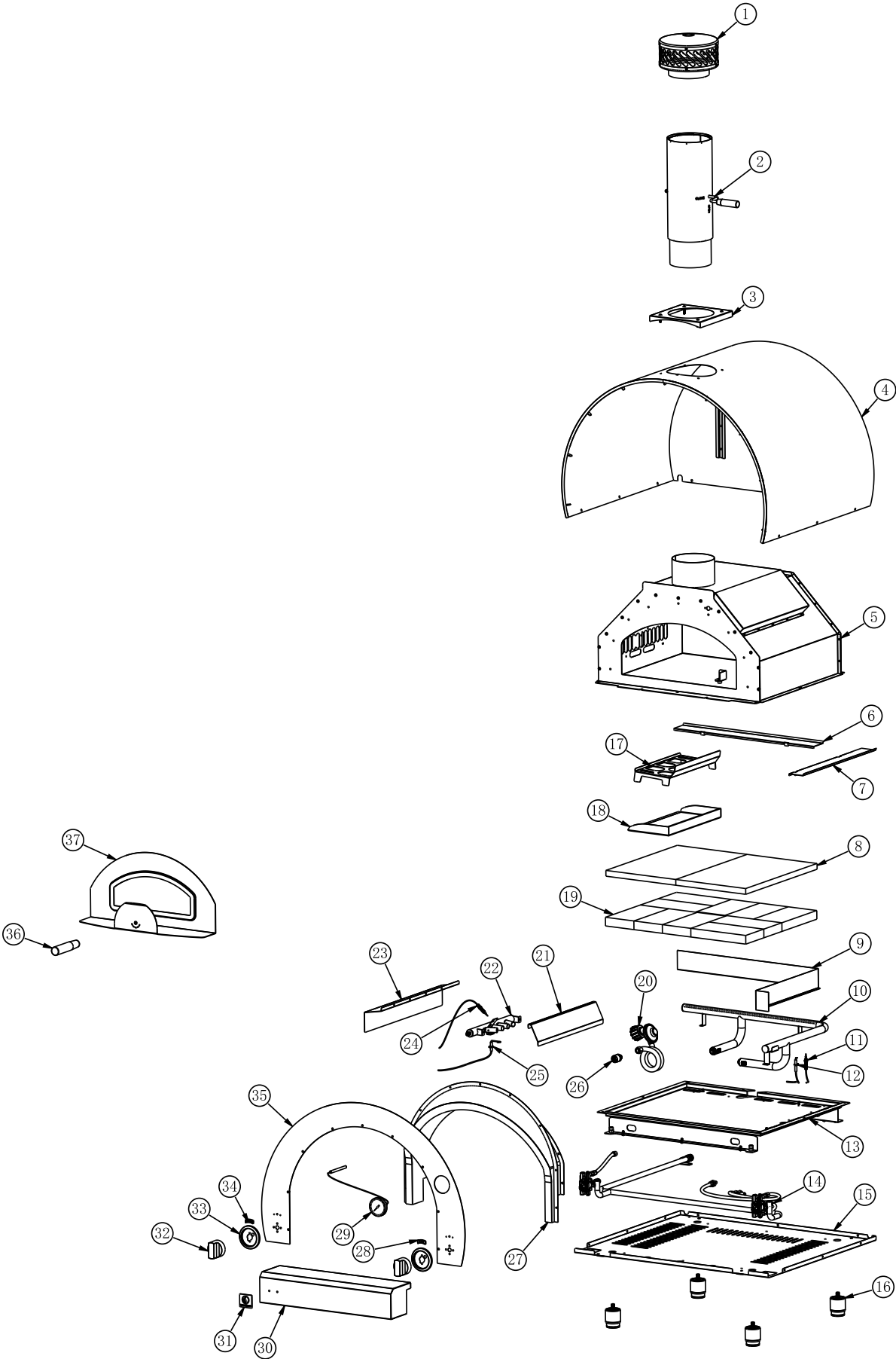
- Mix 1 tablespoon of baking soda in 2 cups of water.
- Rub the baking soda solution on the rust stain using a toothbrush, being careful to go with the grain of the stainless steel. If the stain is persistent, add vinegar, little by little, to a cup of baking soda until you have a consistent paste. Wipe the spot with paste and rinse with a wet microfiber towel. Making certain you always wipe in the direction of the grain of the stainless steel.
- When stain is removed, wash entire surface with the soap solution mentioned above. For grease build up, use Zep on the exterior surface to remove.

LINE DRAWINGS

OV-HYB



ILLUSTRATED PARTS



REPLACEMENT PARTS

ITEM	PART #	DESCRIPTION	QTY.
1	11742	EXHAUST VENT ASSEMBLY	1
2	11743	CHIMNEY ASSEMBLY	1
3	11744	CHIMNEY HOLDER	1
4	11745	OUTER SHELL	1
5	11746	FIREBOX ASSEMBLY	1
6	11747	GAS BURNER COVER BACK	1
7	11748	GAS BURNER COVER RIGHT	1
8	11749	PIZZA STONE	2
9	11750	FLAME TAMER	1
10	11751	GAS BURNER ASSEMBLY	1
11	11752	GAS BURNER THERMOCOUPLE	1
12	11753	GAS BURNER IGNITION	1
13	11754	FIREBOX BOTTOM	1
14	11755	GAS VALVE ASSEMBLY	1
15	11756	BASE PLATE	1
16	11757	LEG ASSEMBLY	4
17	11758	WOOD RACK	1
18	11759	ASH TRAY	1
19	11760	INSULATION STONE	12
20	11761	LP REGULATOR HOSE ASSEMBLY (LP MODEL ONLY)	1
	11762	*NG REGULATOR (NG MODEL ONLY)	1
21	11788	PROTECTIVE COVER FOR BURNER	1
22	11763	WOOD BURNER ASSEMBLY	1
23	11764	WOOD BURNER BAFFLE	1
24	11765	WOOD BURNER THERMOCOUPLE	1
25	11766	WOOD BURNER IGNITION	1
26	11767	1/2" X 5/8" LP FITTING (LP MODEL ONLY)	1
27	11768	FRONT FRAME WELDING ASSEMBLY	1
28	11769	GAS BADGE	1
29	11770	THERMOMETER	1
30	11771	FRONT PANEL	1
31	11449	LOGO PLATE	1
32	11445	KNOB	2
33	11793	KNOB BEZEL	2
34	11772	WOOD BADGE	1
35	11773	CONTROL PANEL	1
36	11774	DOOR HANDLE WITH SCREW	1
37	11776	DOOR ASSEMBLY	1

**Not Shown on page 16*

WARRANTY



Your investment in AMD Direct products is backed by the strongest warranty in the industry. In addition to precision engineering and outstanding performance, AMD Direct products include our GOLD STANDARD LIFETIME WARRANTY with all replacement parts 100% non-prorated. Effective with purchases as of 3/1/23.

AMD Direct Warranty is valid for original purchaser at original site of delivery with proof of purchase and photo documentation only. Registration form must be submitted online within 30 days of the purchase date to validate the warranty. Warranty is void upon transfer of ownership. Warranty does not apply to products installed in any commercial, rental, or nonresidential application that have not maintained proper upkeep. Warranty covers replacement parts only. Manufacturer is not responsible for labor or labor-related costs. Warranty does not cover discoloration, surface rust, corrosion, or oxidation, which may occur due to harsh environments, chemicals, or overheating. Warranty will not apply for damage resulting from improper installations, abuse, extreme environments, grease fires, or misuse. Proof of regular and proper maintenance is required. Coastal, humid, and/or salt environments are subject to manufacturer review. All out-of-box claims must be made within 30 days of purchase and must be made prior to installation. Any product installed damaged will be considered damaged during installation and not covered under warranty. Warranty and registration forms are available at www.amddirect.com/register. Please be advised - all display models are sold "as is" and the warranty covers the following items only: main burners (Gold Standard Lifetime Warranty), grates (Gold Standard Lifetime Warranty), burner covers (Gold Standard Lifetime Warranty). All warranties are subject to the review and approval of the manufacturer.

**14520 DELTA LANE SUITE 105
HUNTINGTON BEACH, CA 92647
800.966.8126
AMDDIRECT.COM**

AMD DIRECT GAS APPLIANCES (GRILLS, SIDE/POWER BURNERS, GAS GRIDDLE & OVENS)

- Gold Standard Lifetime Warranty on Construction and Manufacturer Defects
- Gold Standard Lifetime Warranty on Stainless Steel Construction
- Gold Standard Lifetime Warranty on Cooking Grates, Burners, Burner Covers, Valves, Flame Tamers, and Heat Zone Separators, Temperature Gauges, & Hood Springs
- Gold Standard Lifetime Warranty on Briquette Systems
- 3 Year Warranty on all Other Parts, Components, & Electrical, Including: LED Bulbs, Wire Harness, & Switches; Power Source Wire; Transformer; Interior Halogen Light Wire & Bulb

VENT HOODS, REFRIGERATION, COLD STORAGE & SINKS

VENT HOODS

- 5 Year Warranty on all Stainless Steel Construction
- 3 Year Warranty on Blowers, LED Lighting, Wiring Harness and Switches

15" & 24" REFRIGERATION MODELS

- 3 Year Warranty on all Construction Including Compressors
- 1 Year Warranty on Transformer, LED Bulbs, LED Harness, Power Source Wire, LED Switches, Interior Halogen Light Wire/ Bulbs

21" & 22" Refrigeration

- 1 Year Warranty on all Construction & Electrical Components Including Compressor, Transformer, LED Bulbs, LED Harness, Power Source Wire, LED Switches, Interior Halogen Light Wire/ Bulbs

COLD STORAGE & SINKS

- Gold Standard Lifetime Warranty on Ice Chests
- Gold Standard Lifetime Warranty on Drains & Faucets

DRAWERS, DOORS, GRILL LINERS, & CARTS

- Gold Standard Lifetime Warranty on Construction, Workmanship and Materials for all Stainless Steel Parts, Including Doors, Drawers, Grill Liners, & Carts
- 3 Year Warranty on Electrical (Warming Drawers)

COVERS

- Gold Standard Lifetime Warranty on Covers, Including Grills, Carts, Side/Power Burners, Gas Griddle & Oven

COMMERCIAL APPLICATIONS

GAS GRILLS

- Gold Standard Lifetime Warranty on Workmanship, Construction, & Manufacturer Defects for All Commercial and/or Hospitality Applications
- Warranty is Void Upon Misuse, Including Lack of Regular Cleaning, Vandalism, or Theft
- Warranty is Valid Only if Regular Maintenance is Exercised. Due to the Nature of Commercial Applications (Multiple Users, Lack of Control of Use, etc.) Regular Maintenance is Mandatory

GAS PIPE SIZING CHART

NATURAL GAS : PIPE SIZING CHART

Length of Pipe in Feet	1/2"	3/4"	1"	1 - 1/4"	1 - 1/2"	2"	2 - 2 1/2"	3"	4"
10	108	230	387	793	1237	2259	3640	6434	-
20	75	160	280	569	877	1610	2613	5236	9521
30	61	129	224	471	719	1335	2165	4107	7859
40	52	110	196	401	635	1143	1867	3258	6795
50	46	98	177	364	560	1041	1680	2936	6142
60	42	89	159	336	513	957	1559	2684	5647
70	38	82	149	317	476	896	1447	2492	5250
80	36	76	140	239	443	840	1353	2315	4900
90	33	71	133	275	420	793	1288	2203	4667
100	32	68	126	266	411	775	1246	2128	4518
125	28	60	117	243	369	700	1143	1904	4065
150	25	54	105	215	327	625	1008	1689	3645
175	23	50	93	196	303	583	993	1554	3370
200	22	47	84	182	280	541	877	1437	3160
300	17	37	70	145	224	439	686	1139	2539

- Natural Gas (NG) flow is given in thousands of BTU/hr. = 1 cubic foot of NG gas - 1000 BTU
- Nominal pressure at the burner for Natural Gas is 3.5" of water column. (Typical machine supply 5"-7")
- Pipe length must include additional length for all fittings. Add approximately 5 feet of pipe per fitting.
- Natural Gas Example: A machine with a burner that requires 440,000 BTU would need a 1 -1/4" pipe for a 20" long run.

LIQUID PROPANE : PIPE SIZING CHART

Length of Pipe in Feet	1/2"	3/4"	1"	1 - 1/4"	1 - 1/2"	2"	2 - 2 1/2"	3"	4"
10	275	567	1071	2205	3307	6221	10140	17990	35710
20	189	393	732	1496	2299	4331	7046	12510	25520
30	152	315	590	1212	1858	3465	5695	10110	20620
40	129	267	504	1039	1559	2992	4778	8481	17300
50	114	237	448	913	1417	2646	4343	7708	15730
60	103	217	409	834	1275	2394	3908	6936	14150
70	89	185	346	724	1086	2047	3329	5908	12050
80	78	162	307	630	976	1811	2991	5309	10830
90	69	146	275	567	866	1606	2654	4711	9613
100	63	132	252	511	787	1496	2412	4281	8736
125	54	112	209	439	665	1282	2083	3618	7382
150	48	100	185	390	590	1138	1808	3210	6549
175	43	90	168	353	534	1030	1637	2905	5927
200	40	83	155	325	491	947	1505	2671	5450
300	37	77	144	303	458	887	1404	2492	5084

- Liquid Propane (LP) Gas flow is given in thousands of BTU/hr. = 1 cubic foot of LP gas - 2500 BTU.
- This chart refers to low pressure LP, after regulation. Standard nominal pressure at the burner for Liquid Propane Gas is 11" of water column.
- Pipe length must include additional length for all fittings. Add approximately 5 feet of pipe per fitting.
- LP Example: A machine with a burner that requires 440,000 BTU would need a 1" pipe for a 20' long run.

NOTE: The sizing charts above list the specific pipe sizes required for the amount of BTU's for a new gas line installations. If you are using an existing gas line you must take into consideration the existing gas line capacities to ensure you will have proper pressure. **This chart is for reference only, we recommend you consult with a Licensed Plumber/Gas Fitter or NFPA54 (National Fuel Gas Code - current edition) for more details.**



For more information visit:
SUMMERSETGRILLS.COM

**AMD Direct, Inc.
14520 DELTA LANE SUITE 105
HUNTINGTON BEACH, CA 92647
800.966.8126**



Manuel d'utilisation du four à gaz hybride

Modèles : **OV-HYB**
OV-HYBL



ATTENTION :

INSTALLATEUR : VEUILLEZ LAISSER CES INSTRUCTIONS AVEC LE CONSOMMATEUR.

CONSOMMATEUR : VEUILLEZ LIRE ET CONSERVER CES INSTRUCTIONS POUR RÉFÉRENCE FUTURE ET AVANT L'INSTALLATION OU L'UTILISATION.

 **DANGER**

Ne laissez jamais cet appareil sans surveillance.

En cas d'incendie, éloignez-vous de l'appareil et appelez immédiatement les pompiers. Ne tentez pas d'éteindre un feu d'huile ou de graisse avec de l'eau.

Le non-respect de ces instructions peut entraîner un incendie, une explosion ou un risque de brûlure, pouvant causer des dommages matériels, des blessures ou la mort.

Si vous sentez une odeur de gaz :

- Coupez l'alimentation en gaz de l'appareil.
- Éteignez toute flamme ouverte.
- Ouvrez le couvercle.
- Si l'odeur persiste, éloignez-vous de l'appareil et appelez immédiatement votre fournisseur de gaz ou votre service d'incendie.

 **AVERTISSEMENT**

- Ne pas stocker ou utiliser de l'essence ou d'autres liquides ou vapeurs inflammables à proximité de cet appareil ou de tout autre appareil.
- Un cylindre de gaz propane non connecté à l'appareil ne doit pas être stocké à proximité de cet appareil ou de tout autre appareil.

Cet appareil est conçu comme un « APPAREIL SURVEILLÉ ». NE PAS laisser cet appareil allumé sans surveillance.

AVERTISSEMENTS

LISEZ ATTENTIVEMENT ET COMPLÈTEMENT CE MANUEL AVANT D'UTILISER VOTRE FOUR POUR RÉDUIRE LE RISQUE DE :

Incendie, risque de brûlure, blessure personnelle ou dommage matériel, installation ou entretien incorrect, choc électrique.

CE PRODUIT EST CONÇU POUR UNE UTILISATION EX-TÉRIEURE UNIQUEMENT

Une installation, un réglage, une modification, un service ou un entretien incorrect peut causer des dommages matériels, des blessures ou la mort. Lisez attentivement ce manuel avant l'installation, l'utilisation ou l'entretien de ce produit.

EXIGENCES DE CODE ET D'APPROVISIONNEMENT :

Ce four doit être installé conformément aux codes et règlements locaux, ou, en l'absence de codes locaux, avec le dernier Code national du gaz combustible (ANSI Z223.1/NFPA 54), ou le Code d'installation du stockage et de la manipulation du gaz naturel et du propane (CSA B149.1)

SI VOUS SENTEZ UNE ODEUR DE GAZ :

Coupez toutes les conduites d'alimentation en gaz du four. Éteignez toutes les flammes ouvertes. Ouvrez soigneusement la porte. Rappelez-vous, il peut être extrêmement chaud ! Si l'odeur persiste, éloignez tout le monde du four et appelez immédiatement votre fournisseur de gaz ou votre service d'incendie.

Cet appareil est conçu comme un «**APPAREIL SURVEILLÉ**». **NE PAS** le laisser en marche sans surveillance.

Température ambiante minimale de fonctionnement : 0°F (-17,8 °C)

AVERTISSEMENT

N'utilisez jamais les brûleurs à bois et à gaz en même temps.

Cet appareil est conçu pour une utilisation au **bois ou au gaz, mais jamais les deux à la fois.**

Lorsque vous utilisez le brûleur au **BOIS**, assurez-vous que les couvercles des brûleurs sont bien en place.

Lorsque vous utilisez le brûleur au **GAZ**, les couvercles des brûleurs doivent être **retirés** avant l'utilisation.

Le non-respect de ces consignes peut entraîner une accumulation de gaz à l'intérieur de l'appareil, posant un risque sérieux d'incendie ou d'explosion.

RISQUE D'EXPLOSION :

NE PAS utiliser le four comme espace de rangement pour des matériaux inflammables. Gardez la zone dégagée et exempte de matériaux combustibles, d'essence et d'autres vapeurs et liquides inflammables. Ne pas le faire peut entraîner la mort, une explosion ou un incendie. Un cylindre de PL non connecté pour l'utilisation ne doit pas être stocké à proximité de cet appareil ou de tout autre appareil.

L'appareil de cuisson hybride à gaz extérieur et sa vanne d'arrêt dédiée doivent être déconnectés du système de tuyauterie d'alimentation en gaz lors des tests de pression de ce système à des pressions d'essai supérieures à 0,5 psi (3,5 kPa).

L'appareil de cuisson hybride à gaz extérieur doit être isolé du système de tuyauterie d'alimentation en gaz en fermant sa vanne d'arrêt manuelle dédiée lors de tout test de pression du système de tuyauterie d'alimentation en gaz à des pressions d'essai égales ou inférieures à .5 psi (3.5kPa).

AVERTISSEMENT

NE JAMAIS couvrir les fentes, trous ou passages au fond du four ni recouvrir une grille entière avec un matériau tel que du papier d'aluminium. Cela bloque la circulation de l'air dans le four et peut causer une intoxication au monoxyde de carbone.

Les revêtements en papier d'aluminium peuvent emprisonner la chaleur et créer un risque d'incendie.

PROPOSITION 65 DE LA CALIFORNIE

AVERTISSEMENT

Ce produit est conçu pour fonctionner avec l'une des sources de carburant suivantes : Propane liquide ou Gaz naturel. Le carburant utilisé pour faire fonctionner ce produit, ainsi que les produits de combustion de ce carburant, peuvent vous exposer à des produits chimiques, y compris le benzène, reconnu par l'État de Californie comme causant le cancer, des malformations congénitales et d'autres dommages à la reproduction, et le monoxyde de carbone, reconnu par l'État de Californie comme causant des malformations congénitales ou d'autres dommages à la reproduction. (Pour plus d'informations, rendez-vous sur : www.p65Warnings.ca.gov.)

TABLE DES MATIÈRES

Avertissements	2 & 4
Avant de faire fonctionner	5
Installation	6-7
Exigences en matière de gaz	8-10
Fonctionnement - Allumage du four	11
Conseils d'utilisation et d'entretien	12-13
Entretien et nettoyage	14
Dessins au trait	15
Pièces illustrées	16
Pièces de rechange	17
Garantie	18
Tableau de dimensionnement des tuyaux de gaz	19

**PIÈCE # : OV-HYB
OV-HYBL**

(Configurations de gaz naturel et de gaz propane liquide)

Pour obtenir des informations sur la garantie et enregistrer votre four, visitez amddirect.com/register



Pour voir sur votre téléphone, scannez le code QR avec l'application appareil photo de votre smartphone. (Pour les appareils Android, utilisez Google Lens.)

MERCI

Merci pour votre achat. Nous vous souhaitons la bienvenue dans la famille Summerset Grills de cuisines extérieures de luxe et nous espérons faire partie de votre foyer pour les années à venir. En tant qu'entreprise familiale avec plus de 20 ans d'expérience dans l'industrie, nous visons à offrir une qualité exceptionnelle et un service personnalisé. Bienvenue dans la famille Summerset Grills et nous espérons que vous aimerez votre nouveau four !

POUR VOS DOSSIERS

Veillez enregistrer les informations suivantes et vous y référer lorsque vous contactez Summerset Grills ou un revendeur autorisé. Le numéro de série est situé sur la plaque signalétique. La plaque signalétique est située sur le bassin extérieur du four (boîte à feu) et sur le dessous du plateau d'égouttement (certains modèles seulement).

INSTALLATEUR

Veillez laisser ce manuel au propriétaire

Numéro de série : _____

Modèle : _____

Date d'achat : _____

Lieu d'achat : _____

AVERTISSEMENTS

AVERTISSEMENTS DE SÉCURITÉ ET D'INSTALLATION

Lisez toutes les instructions avant d'installer ou d'utiliser le four pour éviter blessures et dommages.

- Tous les fours hybrides deviennent chauds pendant l'utilisation. Faites preuve d'une extrême prudence lors de l'utilisation du four.
- Ne faites pas fonctionner les brûleurs à bois et à gaz en même temps. Cet appareil est conçu pour une utilisation au bois ou au gaz – jamais les deux simultanément. Lorsque vous utilisez le brûleur à BOIS, assurez-vous que les couvercles de brûleur sont bien en place. Lorsque vous utilisez le brûleur à GAZ, les couvercles de brûleur doivent être retirés avant l'utilisation. Le non-respect de ces instructions peut entraîner une accumulation de gaz à l'intérieur de l'appareil, créant un risque grave d'incendie ou d'explosion.
- Le four à gaz hybride est conçu uniquement comme modèle de comptoir ou de table. Il doit être installé sur une surface non combustible et ne doit pas être encastré dans une îlot de cuisine extérieure ou des armoires.
- Ne touchez pas les surfaces chaudes. Utilisez toujours une mitaine de four lorsque vous manipulez la poignée pour ouvrir ou fermer le four.
- N'utilisez jamais de cylindres de propane bosselés, rouillés ou endommagés. Ne stockez jamais de cylindres de propane supplémentaires ou vides dans le meuble du four ou à proximité de cet appareil ou de tout autre appareil.
- Une surveillance étroite est nécessaire lorsque cet appareil ou tout autre appareil est utilisé à proximité des enfants. Gardez les enfants à l'écart du four pendant son fonctionnement et jusqu'à ce qu'il ait refroidi.
- Les enfants ne doivent jamais être laissés seuls ou sans surveillance près d'un four. Placez le four loin des zones de jeu. Ne rangez pas d'objets qui pourraient attirer l'attention des enfants dans ou autour du four, dans le chariot ou dans l'enceinte en maçonnerie.
- Ne déplacez jamais le four lorsqu'il est chaud. Lorsqu'il est en cours d'utilisation, certaines parties du four sont suffisamment chaudes pour causer des brûlures graves.
- Respectez toujours les dégagements requis des matériaux combustibles. Ce four est conçu uniquement pour l'extérieur. Ne l'utilisez jamais dans un garage, un bâtiment, un abri, un passage couvert ou tout autre espace fermé. N'utilisez pas ce four sous une structure combustible non protégée.
- Les fours hybrides ne sont pas conçus ou certifiés pour être installés dans ou sur des véhicules récréatifs, des remorques portables, des bateaux ou toute autre installation mobile.
- Ayez toujours un extincteur ABC accessible — n'essayez jamais d'éteindre un feu de graisse avec de l'eau ou d'autres liquides.
- Rangez le four dans un endroit bien ventilé. Si vous le rangez à l'intérieur, laissez le cylindre de PL dehors, à l'écart de la chaleur et hors de portée des enfants.
- Ne réparez ou ne remplacez aucune pièce du four à moins que cela ne soit spécifiquement recommandé dans ce manuel. Les autres services doivent être effectués par un technicien qualifié.
- Si le four est installé par un professionnel, demandez-lui de vous montrer où se trouve le robinet d'arrêt de gaz. Toutes les conduites doivent avoir une vanne facilement accessible. En cas d'odeur de gaz, vérifiez les fuites avec de l'eau savonneuse seulement, jamais avec une flamme nue.
- Inspectez le tuyau d'alimentation en gaz propane liquide avant chaque utilisation. S'il présente des signes d'usure excessive, d'abrasion ou de coupure, il doit être remplacé avant d'utiliser le four.
- L'utilisation d'accessoires, de régulateurs ou de composants non recommandés par le fabricant de l'appareil peut causer des blessures et annulera la garantie.
- Ne jamais allumer le four avec la porte fermée et assurez-vous que les brûleurs sont positionnés et installés sur les vannes de gaz et sur le support du brûleur.
- Ne vous penchez jamais au-dessus de la surface de cuisson lors de l'allumage ou de l'utilisation du four.
- Utilisez des outils de four avec des manches en bois et des mitaines isolantes lorsque vous utilisez le four.
- Assurez-vous que le gaz fourni au four est conforme au modèle que vous avez acheté. Un four à gaz naturel nécessite du gaz naturel pour fonctionner; un four à propane liquide nécessite du propane liquide pour fonctionner.
- Ne connectez jamais le four à une ligne de gaz sans régulateur. Un four non régulé est dangereux et ne sera pas pris en charge tant qu'il n'est pas installé correctement. Toute utilisation sans régulateur annule la garantie.
- Les fours fonctionnant au gaz naturel doivent être installés avec le régulateur GN fourni avec l'appareil et réglés à une pression de colonne d'eau de 4,0".
- Les fours fonctionnant au propane liquide doivent être installés avec un régulateur LP et réglés à une pression de colonne d'eau de 11".
- Le four n'est pas conçu pour une utilisation commerciale.
- Cet appareil n'est pas destiné à être utilisé comme un appareil de chauffage et ne doit jamais l'être.
- Gardez le tuyau d'alimentation en carburant à l'écart de toute surface chauffée.

AVANT DE FAIRE FONCTIONNER

DÉBALLAGE DE VOTRE FOUR

VÉRIFIEZ LES DOMMAGES D'EXPÉDITION :

DOMMAGES VISIBLES

Si votre envoi arrive avec des dommages visibles à la boîte/au carton, assurez-vous que les dommages sont notés sur le bordereau de fret ou le reçu express et signés par la personne effectuant la livraison. Déposez une réclamation pour dommages immédiatement, quel que soit l'étendue des dommages.

DOMMAGES CACHÉS

Si des dommages sont découverts après le déballage du four, informez immédiatement le revendeur où vous avez acheté l'appareil et la compagnie de transport ou le transporteur. Déposez une réclamation pour dommages cachés auprès d'eux dans les cinq (5) jours suivant la date de livraison. Conservez la boîte ou le carton pour inspection. Veuillez noter que nous ne pouvons assumer la responsabilité des dommages ou pertes subis pendant le transport.

AVERTISSEMENT

Un appareil est considéré comme étant à l'extérieur s'il est installé sous un abri qui comprend au maximum trois murs, sans couverture au-dessus; toutes les ouvertures doivent être en permanence ouvertes; les portes coulissantes, les portes de garage, les fenêtres ou les ouvertures avec moustiquaires ne sont pas considérées comme des ouvertures permanentes.

Un appareil est considéré comme étant à l'extérieur s'il est installé sous un abri partiel comprenant un toit et au maximum deux murs latéraux. Les murs latéraux peuvent être parallèles, comme dans un passage couvert, ou perpendiculaires l'un à l'autre; toutes les ouvertures doivent être en permanence ouvertes; les portes coulissantes, les portes de garage, les fenêtres ou les ouvertures avec moustiquaires ne sont pas considérées comme des ouvertures permanentes.

Un appareil est considéré comme étant à l'extérieur s'il est installé sous un abri partiel comprenant un toit et trois murs latéraux, à condition qu'au moins 30 % de la périphérie horizontale de l'enceinte soit en permanence ouverte; toutes les ouvertures doivent être en permanence ouvertes; les portes coulissantes, les fenêtres ou les ouvertures avec moustiquaires ne sont pas considérées comme des ouvertures permanentes.

NOTES IMPORTANTES :

FAITES ATTENTION AU VENT

Des conditions de vent extrêmement fort peuvent affecter la performance de votre four. Si le thermomètre ne monte pas alors que tous les brûleurs sont au maximum et que la porte est fermée, faites preuve de prudence. Une utilisation prolongée dans de telles conditions peut entraîner une surchauffe du panneau de commande et des boutons. Le four dépend d'une bonne circulation de l'air pour fonctionner en toute sécurité et efficacité, évitez donc de l'utiliser par temps très venteux.

LONGUEUR DE LA CONDUITE DE GAZ

Gardez toutes les conduites d'alimentation en gaz aussi courtes que possible. Les conduites de gaz perdent de la pression sur la distance et avec chaque coude ou raccord en 'T' ajouté. Cette chute de pression affecte la performance du four.

*Voir le tableau de dimensionnement des tuyaux à gaz à la page 21

MISE À NIVEAU APPROPRIÉE

UN NIVELLEMENT APPROPRIÉ LORS DE L'INSTALLATION EST CRITIQUE. UN FOUR QUI N'EST PAS DE NIVEAU PROVOQUERA UNE COMBUSTION ERRATIQUE DU BRÛLEUR ET UN CHAUFFAGE INEFFICACE ET INÉGAL. LE FOUR DOIT ÊTRE DE NIVEAU DANS TOUTES LES DIRECTIONS. DES AJUSTEMENTS PEUVENT ÊTRE NÉCESSAIRES CHAQUE FOIS QUE L'UNITÉ AUTOPORTANTE EST DÉPLACÉE.

ZONES DE CONSTRUCTION

Gardez tous les produits en acier inoxydable à l'écart des zones de construction. Les débris de construction tels que (mais sans s'y limiter) la poussière de pierre, le stuc et la poussière de chaux pourraient endommager ou décolorer de façon permanente les produits en acier inoxydable. Gardez tous les produits chimiques caustiques, y compris le chlore et les produits de nettoyage de piscine, à l'écart de l'acier inoxydable en tout temps.

INSTALLATION

DIMENSIONS GÉNÉRALES DU PRODUIT

NUMÉRO DE MODÈLE DU FOUR HYBRIDE	A : LARGEUR	B : PROFONDEUR	C : HAUTEUR
OV-HYB OV-HYBL	25"	25-3/4"	21"

Tableau 1

DÉGAGEMENTS MINIMAUX DU FOUR :

Les dégagements minimaux entre le four et tout mur latéral ou mur arrière doivent respecter une (ou plusieurs) des conditions suivantes :

Dégagement entre le four et un mur incombustible

(c'est-à-dire un mur de briques, voir Figure. 2). Le four nécessite un dégagement minimum de 2" du côté droit, du côté gauche et de l'arrière (dos) du four par rapport à tout mur incombustible. Cela permet une ventilation adéquate et aide à prévenir une surchauffe dangereuse.

Si un dossier incombustible existe, il doit avoir un dégagement minimum de 2" de l'arrière du four (pour permettre une ventilation adéquate et aider à prévenir une surchauffe dangereuse. Dégagement Figure 2).

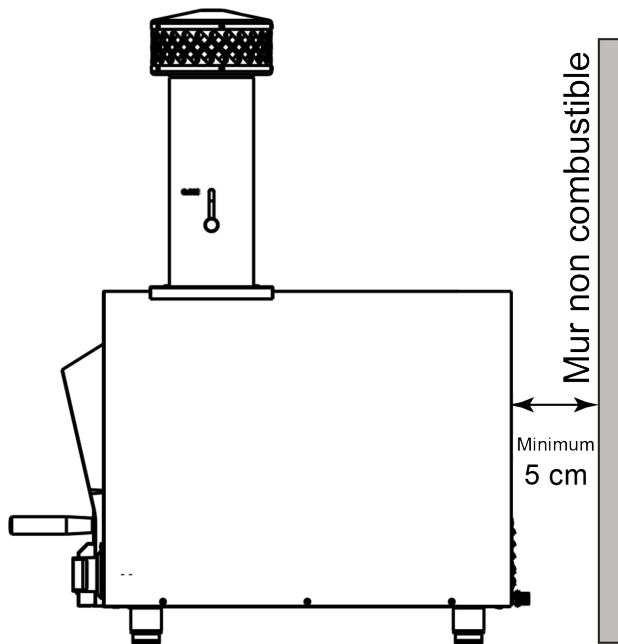


Figure 2

NOTE IMPORTANTE :

Ce dégagement de 2" pour le dossier doit d'abord être respecté avant que tout mur incombustible ne commence derrière lui.

Le four doit avoir un dégagement minimum de 14" du côté droit, du côté gauche et de l'arrière (dos) du four par rapport à un mur combustible protégé. Référez-vous à la Figure 3 (Page 7).

Dégagement entre le four et le mur combustible protégé

(c'est-à-dire un mur incombustible devant un mur combustible servant de barrière. Cela peut être réalisé par des briques ou un montant métallique fini avec un substrat incombustible. Voir Figure 3). Le four doit avoir un dégagement minimum de 10" à droite, à gauche et à l'arrière du mur combustible protégé. (2" de dégagement pour matériau incombustible, plus un dégagement supplémentaire de 8" entre le four et le mur protégé.)

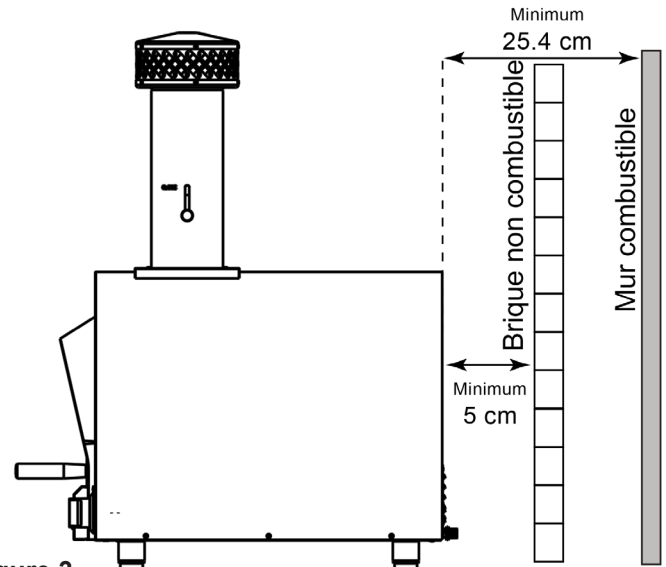


Figure 3

Dégagement entre le four et le mur combustible

(Figure de dégagement 4). Le four doit avoir un dégagement minimum de 14" du côté droit, du côté gauche et de l'arrière du four à tout mur combustible.

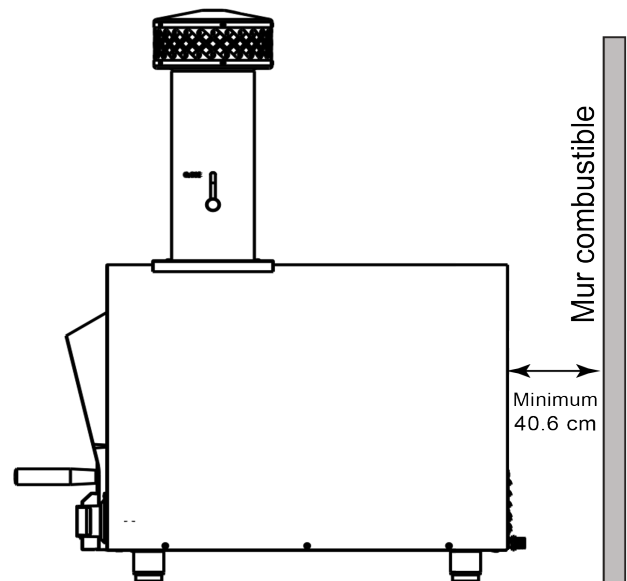


Figure 4

INSTALLATION

EXIGENCES POUR LES CONSTRUCTIONS EN HAUTEUR ET LES HOTTES D'EXTRACTION

Ce four est conçu pour une utilisation extérieure uniquement.

NE PAS utiliser ce four à l'intérieur d'un bâtiment, d'un garage ou d'une zone fermée.

NE PAS utiliser ce four dans ou sur un véhicule récréatif ou un bateau.

Lors de l'installation de ce four dans un environnement combustible, une veste isolante/liner de four Summerset Grills.

Un dégagement minimum de cinq (5) pieds est requis entre le comptoir et la construction en hauteur. Lorsque le four est installé sous une construction combustible en hauteur, la zone au-dessus de la surface de cuisson du four doit être utilisée avec une hotte d'extraction. La hotte d'extraction fournit la protection pour la construction combustible en hauteur. Voir Figure 5.

NOTE IMPORTANTE :

- **NE PAS** utiliser cet appareil sous une construction combustible en hauteur non protégée.
- Lorsqu'il est installé sous une construction non combustible en hauteur, une hotte d'extraction est fortement recommandée.

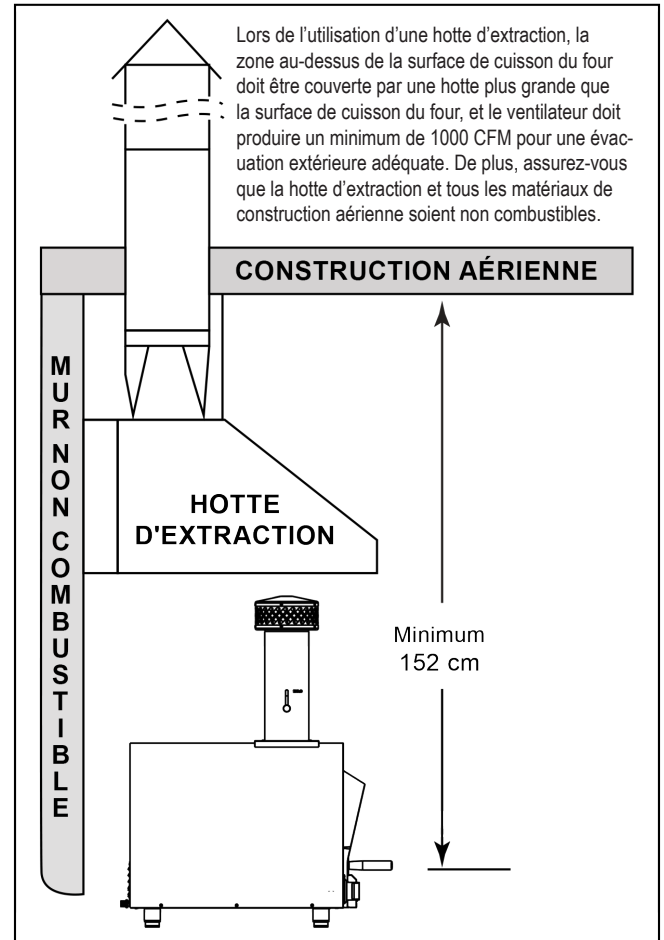
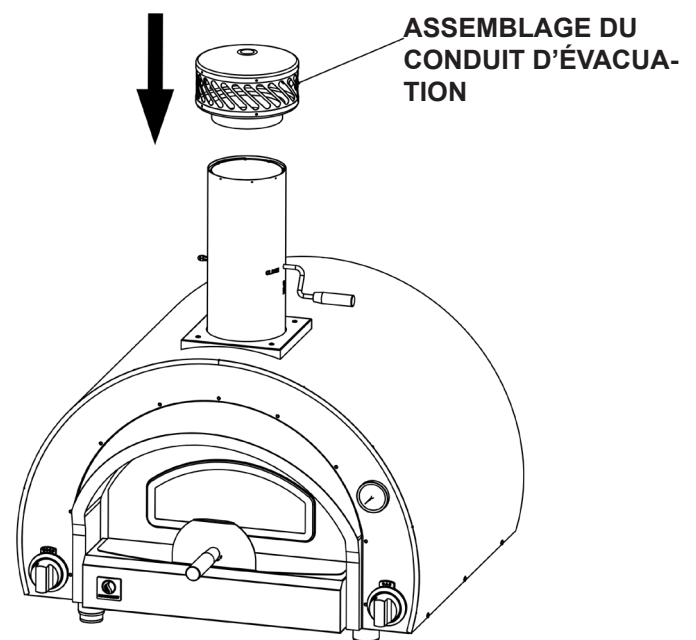
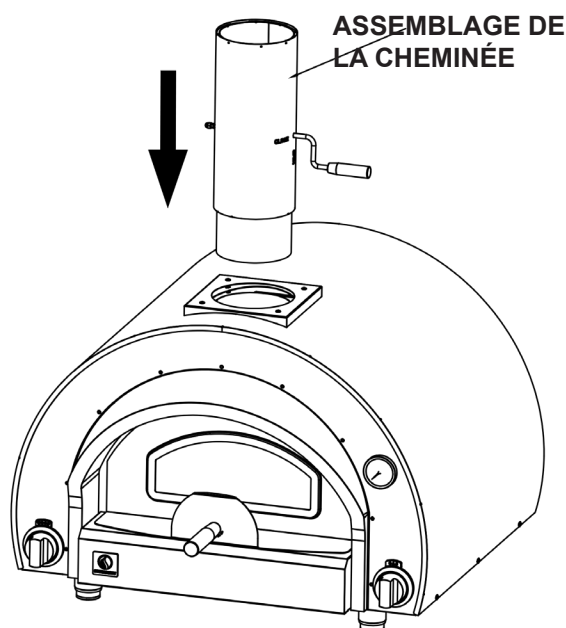


Figure 5

INSTALLATION DE LA CHEMINÉE ET DU CONDUIT D'ÉVACUATION



EXIGENCES EN MATIÈRE DE GAZ

AVERTISSEMENT

CONDUITES DE GAZ

Ne jamais connecter une conduite de gaz directement au four. Un régulateur de pression doit être installé sur tout équipement à gaz. Retirer ou ne pas installer le régulateur de pression peut entraîner un incendie et des blessures graves et annulera la garantie.

EXIGENCES DE PRESSION DE GAZ

Assurez-vous que le gaz fourni respecte les exigences minimales de pression. Voir le Tableau 3 pour les exigences en gaz mesurées en pression de colonne d'eau (W.C.).

Pression	Gaz naturel	Gaz propane
Entrée min.	4,0" WC (1,00 kPa)	10,0" WC (2,49 kPa)
Entrée max.	7,0" WC (1,74 kPa)	14,0" WC (3,48 kPa)

Tableau 3

REMARQUE : Le régulateur et les orifices des brûleurs ont été réglés pour le type de gaz spécifié sur la plaque signalétique.

EXIGENCES POUR LE GAZ NATUREL

- Summerset Grills recommande que seuls des professionnels qualifiés effectuent la plomberie requise sur ce produit.
- Vérifiez la plaque signalétique pour vous assurer que le gaz que vous raccordez est du type de gaz pour lequel le four est fabriqué.
- Pour garantir des performances satisfaisantes, la conduite d'alimentation en gaz doit être dimensionnée pour répondre aux exigences totales en BTU de tous les équipements à gaz qui seront connectés à cette conduite.
- En aucun cas, un tuyau de moins de 1/2" de diamètre intérieur ou 1" de diamètre extérieur ne doit être utilisé pour connecter ce produit.

CONNEXION AU RÉGULATEUR GN

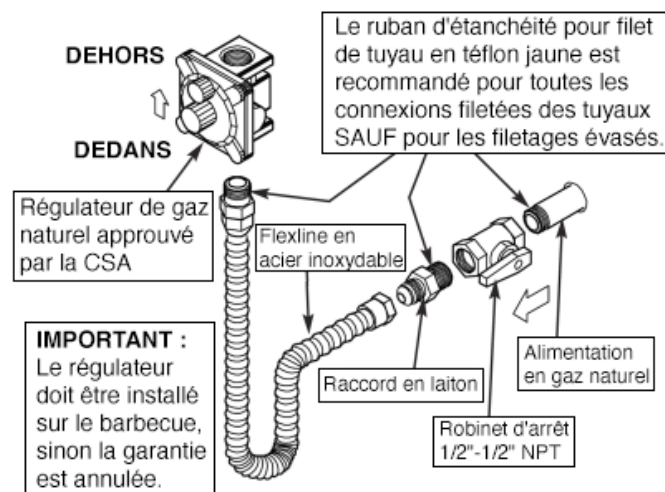


Figure 6

REMARQUE :

NE PAS utiliser de ruban, de pâte à joint ou de composé de filetage sur un raccord évasé. Cela provoquerait un colmatage dans le régulateur et empêcherait votre four de fonctionner correctement.

INFORMATIONS SUR LES BTU DU BRÛLEUR PRINCIPAL

Type de brûleur	OV-HYB	OV-HYBL
BTU du/des brûleur(s) principal/principaux	49,000	49,000

Tableau 4

EXIGENCES EN MATIÈRE DE GAZ

UTILISATION SÉCURITAIRE ET ENTRETIEN DES CYLINDRES DE GAZ PROPANE

IMPORTANT POUR VOTRE SÉCURITÉ

LISEZ ET SUIVEZ TOUS LES AVERTISSEMENTS FOURNIS AVEC LE CYLINDRE DE GAZ PROPANE.

Lors de l'utilisation d'un cylindre de gaz propane, ces instructions et avertissements DOIVENT être respectés.

LE NON-RESPECT DE CES INSTRUCTIONS PEUT ENTRAÎNER UN INCENDIE GRAVE OU UNE EXPLOSION

EXIGENCES POUR CYLINDRE/CONNECTEUR

- Les cylindres de gaz propane, les valves et les tuyaux doivent être maintenus en bon état et inspectés avant chaque utilisation d'un appareil. Ils doivent être remplacés s'il y a des dommages visibles. Si le tuyau est coupé ou présente une usure ou une abrasion excessive, il doit être remplacé avant d'utiliser l'appareil. (Voir section e.)
- Cette unité, lorsqu'elle est utilisée avec un cylindre portable, doit être connectée à un cylindre de gaz propane standard de 5 gallons (20 lb) équipé d'un dispositif de prévention de sur-remplissage homologué.
- Les dimensions du cylindre doivent être d'environ 12" (30,5 cm) de diamètre et 18" (45,7 cm) de hauteur. Les cylindres doivent être construits et marqués conformément aux spécifications du Département des Transports des États-Unis (D.O.T.) pour les cylindres de gaz de pétrole liquéfié, ou à la norme pour les cylindres, sphères et tubes pour le transport de marchandises dangereuses et la Commission, CAN/CSA-B339, selon le cas.
- Le cylindre utilisé doit inclure un collier pour protéger la valve du cylindre, et le système d'alimentation du cylindre doit être conçu pour le prélèvement de vapeur.
- Le régulateur de pression et l'ensemble de tuyaux utilisés doivent correspondre à la spécification de Type I par ANSI Z 21.58/CGA. 1.6 (Voir Figure 7)
- La valve du cylindre de gaz propane doit être équipée d'un dispositif de connexion de cylindre, décrit comme Type I dans la norme définie au paragraphe « e » ci-dessus. Ce dispositif est communément décrit comme un coupleur à filetage Acme.
- Si le cylindre de gaz propane est fourni avec un capuchon anti-poussière, placez le capuchon sur la sortie de la valve du cylindre chaque fois que le cylindre n'est pas utilisé.

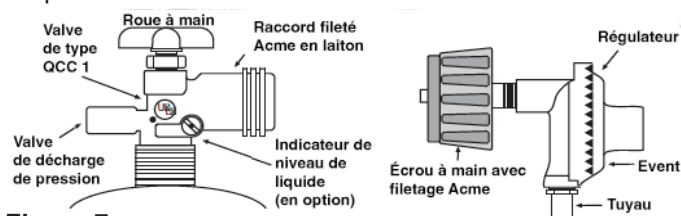


Figure 7

FONCTIONNEMENT DU COUPLEUR

Pour connecter le régulateur/ensemble de tuyaux à l'adaptateur de valve du cylindre de gaz propane : Appuyez sur l'écrou à main du régulateur sur l'adaptateur à filetage Acme de la valve du cylindre. Tournez l'écrou à main dans le sens horaire pour engager les filets et serrez jusqu'à ce qu'il soit bien ajusté. Les pinces d'une clé ne devraient pas être nécessaires. Seul un cylindre marqué « Propane » peut être utilisé.

Pour déconnecter :

Tournez l'écrou à main dans le sens antihoraire jusqu'à ce qu'il soit détaché. Voir la Figure 7.

IMPORTANT :

Avant d'utiliser l'appareil, et après chaque fois que le cylindre est retiré et réattaché, vérifiez l'usure du tuyau (voir section « a ») et vérifiez toutes les connexions pour détecter les fuites. Éteignez les vannes de l'appareil et ouvrez la vanne principale du cylindre, puis vérifiez les connexions avec de l'eau savonneuse. Réparez toute fuite avant d'allumer l'appareil.

ATTENTION : Toujours fermer la vanne principale du cylindre de propane après chaque utilisation, et avant de déplacer l'appareil et le cylindre ou de déconnecter le raccord. Cette vanne doit rester fermée et le cylindre déconnecté lorsque l'appareil n'est pas utilisé, même si le débit de gaz est arrêté par une fonction de sécurité lorsque le raccord est déconnecté. Inspectez soigneusement l'ensemble de tuyaux chaque fois avant d'ouvrir le gaz. Un tuyau fissuré ou effiloché doit être remplacé immédiatement. Si l'appareil est entreposé à l'intérieur, le cylindre doit être déconnecté et retiré. Les cylindres déconnectés doivent être entreposés à l'extérieur, hors de portée des enfants, avec les bouchons de valve filetés bien installés, et ne doivent pas être entreposés dans un bâtiment, un garage ou toute autre zone fermée.

POUR VOTRE SÉCURITÉ

- NE PAS entreposer un cylindre de gaz propane de recharge sous ou à proximité de cet appareil.**
- NE JAMAIS remplir le cylindre à plus de 80 % de sa capacité.**
- SI LES INFORMATIONS DES SECTIONS « a » ET « b » NE SONT PAS SUIVIES EXACTEMENT, UN INCENDIE POUVANT CAUSER LA MORT OU DES BLESSURES GRAVES PEUT SURVENIR.**

EXIGENCES EN MATIÈRE DE GAZ

RACCORDEMENT À UN BRÛLEUR LATÉRAL

Vous aurez besoin d'un raccord adaptateur en 'T' (non fourni) ou d'une connexion similaire pour connecter une seule conduite de gaz à la fois à un brûleur latéral et à un four. Nous recommandons qu'un technicien en gaz agréé installe toutes les conduites de gaz. Voir ci-dessous la Figure 8 pour l'installation d'un adaptateur en 'T'.

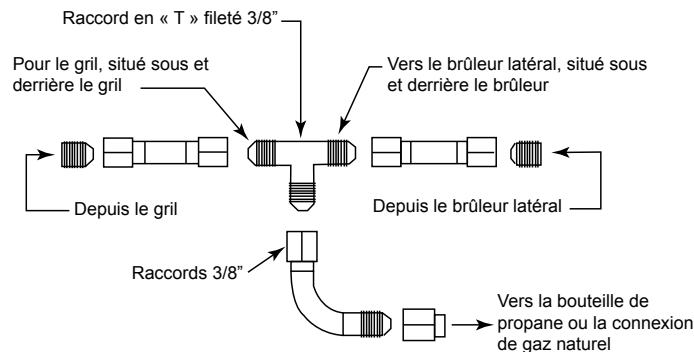


Figure 8

IMPORTANT :

Une ventilation est requise dans l'enceinte et recommandée sur les côtés opposés. Le propane liquide est plus lourd que le gaz naturel et les événements doivent être situés près du bas de l'enceinte. Dans certaines applications, il y aura un espace d'air libre au bas de l'enceinte qui peut servir de ventilation.

TEST POUR FUITES

Créez une solution d'eau savonneuse avec 1 part de savon et 3 parts d'eau. Confirmez que tous les boutons de commande sont en position fermée. Ouvrez l'alimentation en carburant.

Pour le gaz naturel, tournez la poignée de la vanne d'un quart de tour pour l'aligner avec le flux de gaz. Pour le propane liquide, tournez la vanne du cylindre dans le sens antihoraire d'une rotation complète. Appliquez généreusement la solution savonneuse avec un pinceau ou un flacon pulvérisateur sur toutes les connexions et raccords. Si des bulles semblent se former sur l'une des connexions, vous avez une fuite de gaz. **ÉTEIGNEZ IMMÉDIATEMENT** l'alimentation en gaz. Rincez la solution savonneuse à l'eau froide et séchez. Serrez le joint lâche ou remplacez la pièce défectueuse par des pièces de rechange recommandées par le fabricant.

NE PAS tenter de réparer la valve du cylindre de PL si elle est endommagée. La seule façon de résoudre en toute sécurité un cylindre endommagé est de le remplacer en appelant un technicien de service d'appareils à gaz autorisé ou un fournisseur de gaz PL. Répétez le test de fuite pour vous assurer qu'il n'y a pas de fuites. N'utilisez pas l'appareil tant que la fuite n'est pas corrigée.

OPTIONS D'INSTALLATION DE PROPANE LIQUIDE

Les modèles de fours à gaz PL sont conçus pour être utilisés avec un réservoir standard de 20 lb de gaz propane liquide (PL) avec des connexions de valve de type (1) (Non inclus).

Un réservoir de PL cabossé ou rouillé peut être dangereux et doit être évité. En cas de doute, faites-le vérifier par votre fournisseur de PL. Vérifiez toujours les fuites après chaque changement de réservoir de PL (Voir Test de Fuites).

Les réservoirs de PL doivent être entreposés à l'extérieur dans un endroit bien ventilé, hors de la portée des enfants. Si votre four est entreposé à l'intérieur, le réservoir de PL doit être entreposé à l'extérieur, en position verticale et à l'écart de la chaleur excessive.

Un plombier professionnel ou un technicien en gaz peut adapter un four à gaz LP à l'alimentation en gaz LP en vrac de votre maison. Cependant, certains disent qu'il n'est pas recommandé de connecter un four à un réservoir de propane domestique en raison du risque de perdre de grandes quantités de propane. Même si vous coupez l'alimentation en gaz, des fuites peuvent toujours se produire, et des nuisibles comme les écureuils et les souris sont connus pour ronger les conduites de propane.

IMPORTANT :

Toutes les installations et toutes les pièces d'installation doivent être conformes aux codes locaux, ANSI Z223.1/ NFPA 70 dernière édition et au Code national du gaz combustible ANSI Z223.1/NFPA 54 aux États-Unis et CGA-B149.1/2 au Canada.

EXIGENCES POUR LES RÉSERVOIRS DE GAZ PROPANE

REPLISSAGE ET REMPLISSAGE DES CYLINDRES DE GAZ LP

Tous les purges et remplissages des cylindres de gaz LP doivent être effectués par du personnel qualifié dans l'industrie du gaz LP. Ne jamais entreposer un cylindre de gaz LP de rechange sous ou à proximité de cet appareil.

Ne jamais remplir le cylindre de gaz LP au-delà de 80 pour cent de sa capacité. Le non-respect de ces instructions peut entraîner une explosion, des blessures corporelles ou la mort.

FONCTIONNEMENT - ALLUMAGE DU FOUR

LIRE LES INSTRUCTIONS AVANT L'ALLUMAGE

ALLUMAGE PAR ÉTINCELLE PIEZO

ATTENTION : Gardez votre visage et votre corps éloignés du dessus du four lors de l'allumage.

Ouvrez la porte avant d'allumer; ; n'essayez pas d'allumer les brûleurs lorsque la porte est fermée.

Assurez-vous que l'alimentation en gaz est activée.

Assurez-vous que les boutons de commande des brûleurs sont en position « OFF ». NE PAS allumer plus d'une valve à la fois pour l'allumage initial.

1. Enfoncez le bouton de commande puis tournez légèrement le bouton dans le sens antihoraire tout en continuant d'appuyer.
2. Maintenez dans la position ci-dessus pendant 5 secondes pour permettre au gaz d'atteindre le collecteur.
3. En appuyant sur le bouton et en le tournant, vous entendrez un clic provenant de l'allumage piezo.
4. Si le brûleur ne s'allume pas en 5 secondes, mettez le(s) bouton(s) de commande du brûleur sur OFF, attendez 5 minutes, et répétez les étapes 1 à 3. Le gaz peut avoir besoin d'être amorcé plusieurs fois pour remplir l'allumage du collecteur de gaz.
5. Après l'allumage, réglez le bouton sur le réglage souhaité.

LIRE LES INSTRUCTIONS AVANT D'ALLUMER

ALLUMAGE MANUEL (ALLUMAGE PAR ALLUMETTE)

ATTENTION : Gardez votre visage et votre corps éloignés du dessus du four lors de l'allumage.

Ouvrez la porte avant d'allumer ; n'essayez pas d'allumer les brûleurs lorsque la porte est fermée.

Assurez-vous que l'alimentation en gaz est activée.

Assurez-vous que les boutons de commande des brûleurs sont en position « OFF ». NE PAS allumer plus d'une valve à la fois pour l'allumage initial.

1. Suivez les étapes 1 à 3.
2. Placez soit un briquet butane à long canon enflammé, soit une allumette à longue tige enflammée près du brûleur principal à droite et contre les parois arrière intérieures du four. Pour le brûleur à bois, maintenez la flamme près de la surface du brûleur à bois.
3. Tout en maintenant la flamme du briquet ou de l'allumette près du brûleur, appuyez sur le bouton de commande approprié. Tout en appuyant, tournez le bouton dans le sens antihoraire jusqu'à la position HAUTE. Une fois que le brûleur s'allume, retirez le briquet ou l'allumette et relâchez le bouton de commande.
4. Si le brûleur ne s'allume pas en 5 secondes, mettez le(s) bouton(s) de commande du brûleur sur OFF, attendez 5 minutes, et répétez les étapes 1 à 3. Le gaz peut avoir besoin d'être amorcé plusieurs fois pour remplir l'allumage du collecteur de gaz. Après l'allumage, réglez le bouton sur le réglage souhaité

INSTRUCTIONS POUR ÉTEINDRE

1. Pour éteindre le four, appuyez sur chaque bouton de commande de valve et tout en appuyant, tournez dans le sens horaire jusqu'à la position « OFF ».
2. Fermez toujours la valve de l'alimentation en gaz après chaque utilisation du four.

Cet appareil est conçu comme un « **APPAREIL SOUS SURVEILLANCE** ». **NE PAS** laisser cet appareil allumé sans surveillance.

Vérifiez et nettoyez les tubes brûleur/venturi pour les insectes et les nids d'insectes. Un tube obstrué peut provoquer un incendie sous le four.

CONSEILS D'UTILISATION ET D'ENTRETIEN

⚠️ AVIS DE SÉCURITÉ IMPORTANT ⚠️

- Utilisation correcte du couvercle à cendres -

Votre four est conçu pour fonctionner avec du bois ou du gaz comme source de combustible. Pour garantir une utilisation sécuritaire et appropriée :

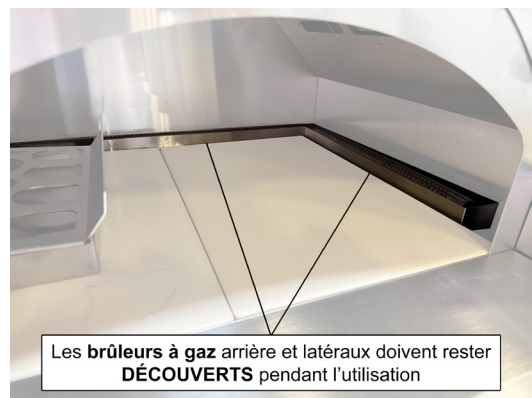
LORS DE L'UTILISATION AU BOIS :

Gardez le couvercle à cendres **EN PLACE** sur le brûleur à gaz. Cela protège le brûleur contre les cendres et les débris.

LORS DE L'UTILISATION AU GAZ :

RETIREZ le couvercle à cendres du brûleur à gaz avant d'allumer le gaz.

Le non-respect de ces consignes peut entraîner une surchauffe de l'appareil, des dommages matériels ou des blessures.



PRÉCHAUFFER LE FOUR

Préchauffer votre four avant chaque utilisation est très important. Cela permet aux brûleurs de chauffer correctement, assurant des résultats de cuisson plus uniformes et constants. Allumez tous les brûleurs principaux, fermez la porte, et laissez chauffer pendant 10 à 15 minutes. Le thermomètre de la porte devrait atteindre environ 575°F (300°C) (température moyenne basée sur une utilisation au gaz) ou la température de préchauffage souhaitée.

INSTRUCTIONS POUR ÉTEINDRE

1. Pour éteindre l'appareil, appuyez sur chaque bouton de commande de valve et tout en appuyant, tournez dans le sens horaire jusqu'à la position « OFF ».
2. Fermez toujours la valve de l'alimentation en gaz après chaque utilisation de l'appareil.

REMARQUE :

Les bouteilles de propane portables ont un dispositif de sécurité pouvant entraîner une pression de gaz faible ou nulle si les instructions de fonctionnement et d'allumage ne sont pas suivies exactement.

CONSEILS D'ENTRETIEN

L'acier inoxydable doit être nettoyé régulièrement pour préserver son apparence et sa résistance à la corrosion. Il est protégé par une fine couche d'oxyde de chrome formée au contact de l'oxygène, qui empêche la corrosion supplémentaire.

NETTOYAGE INTÉRIEUR MENSUEL

- Allumez le four à haute température pendant 15 minutes, porte fermée, pour brûler les graisses et résidus.
- Laissez refroidir environ 90 minutes.
- Essuyez les parois autour du brûleur arrière et des côtés avec un dégraissant ou nettoyant pour acier inoxydable.
- Brossez légèrement les brûleurs avec une brosse en acier. Nettoyez les trous pour éviter toute obstruction.
- Grattez le bassin intérieur avec une brosse ou un couteau à mastic.
- Aspirer les résidus avec un aspirateur d'atelier.
- Après chaque utilisation, brûlez les débris et brossez pour nettoyer.
- N'utilisez aucun produit chimique sur la pierre. Nettoyez-la uniquement avec de l'eau.

INFORMATION SUR LA ROUILLE

Des taches brunâtres peuvent se former sur l'acier inoxydable par oxydation, lorsque l'oxygène entre en contact prolongé avec le fer. Cela survient quand l'eau (pluie ou humidité) apporte de l'oxygène au métal. Le dioxyde de carbone de l'air forme un acide faible qui libère hydrogène et oxygène, créant des dépôts rouillés. Ces dépôts apparaissent dans les pores de l'acier, surtout près des soudures ou bords retenant l'humidité. Une fois formées, ces taches piègent davantage de liquide et s'aggravent avec le temps.

CONSEILS D'ENTRETIEN

NETTOYAGE EXTÉRIEUR DE L'ACIER INOXYDABLE

- Remplissez un seau d'eau tiède et de savon (Dawn ou Simple Green).
- À l'aide d'une serviette en microfibre ou d'une éponge humidifiée avec de l'eau savonneuse, essuyez la surface du four en suivant le grain du métal pendant le nettoyage.
- Rincez complètement avec de l'eau propre.
- Séchez avec une serviette en microfibre.
- L'utilisation de Barry's Restore All, Bar Keepers Friend, Zep ou d'autres nettoyeurs de qualité pour acier inoxydable aide à protéger la surface poreuse de l'acier inoxydable contre la décoloration.
- Couvrir le four avec un couvercle de four, lorsqu'il n'est pas utilisé, est un excellent moyen de protéger l'extérieur.

Nettoyage de la chambre de combustion

Le four hybride utilise la pyrolyse, un processus d'auto-nettoyage qui décompose les matières organiques en utilisant une chaleur intense (pyro = « feu », lysis = « décomposition »). En maintenant une température de 932 °F (500 °C) pendant 2 à 3 minutes, les résidus organiques sont convertis en composés volatils. Évitez de nettoyer la chambre de combustion avec des éponges abrasives ou des nettoyeurs acides/basiques, car cela pourrait endommager la structure du four.

Nettoyage du sol de cuisson

Après avoir terminé le processus de pyrolyse, laissez le four refroidir avant de retirer les débris alimentaires à l'aide d'une brosse et d'un chiffon humide. Il est recommandé de nettoyer le sol du four après chaque utilisation.

AVERTISSEMENT :

N'utilisez jamais de tuyau d'arrosage, de source d'eau à haute pression ou d'alimentation en eau courante pour nettoyer l'intérieur du four. Cela pourrait endommager l'appareil et compromettre la sécurité.

ENLEVER LES TACHES OU POINTS QUI RESSEMBLENT À DE LA ROUILLE

- Mélangez 1 cuillère à soupe de bicarbonate de soude dans 2 tasses d'eau.
- Frottez la solution de bicarbonate de soude sur la tache de rouille à l'aide d'une brosse à dents, en prenant soin de suivre le grain de l'acier inoxydable. Si la tache persiste, ajoutez du vinaigre, petit à petit, à une tasse de bicarbonate de soude jusqu'à obtenir une pâte homogène. Essuyez la tache avec la pâte et rincez avec une serviette en microfibre humide. Assurez-vous toujours d'essuyer dans le sens du grain de l'acier inoxydable.
- Lorsque la tache est enlevée, lavez toute la surface avec la solution de savon mentionnée ci-dessus. Pour l'accumulation de graisse, utilisez Zep sur la surface extérieure pour enlever.

Nettoyage de l'extérieur

Le four hybride, comme tous les produits en acier inoxydable et revêtus de poudre, est conçu pour résister à des conditions météorologiques difficiles, y compris l'exposition à l'air salin, à condition qu'un entretien régulier et approprié soit effectué. Pour nettoyer les surfaces en acier inoxydable, utilisez un chiffon doux avec une solution d'eau et de savon doux, ou un mélange de bicarbonate de soude et de détergent à vaisselle. Nettoyez toujours délicatement et uniquement lorsque le four est complètement refroidi. Évitez les nettoyeurs acides ou alcalins et assurez-vous que tout produit de nettoyage utilisé est certifié et correspond à ses composants déclarés.

IMPORTANT : Vérifiez que les produits de nettoyage que vous utilisez sont certifiés et adaptés aux matériaux.

REMARQUE : L'acier inoxydable exposé à des températures élevées ou à des flammes directes peut développer une décoloration de surface, ce qui est une caractéristique naturelle du matériau. naturelle de ce matériau.

REMARQUE IMPORTANTE : POUR LES EMBLACEMENTS PRÈS DES ZONES CÔTIÈRES ET DES PISCINES :

Les matériaux en acier inoxydable utilisés dans la construction de votre four hybride sont hautement résistants à la rouille, cependant, le chlore dans l'air des piscines ou le sel de l'air marin peuvent provoquer l'apparition de rouille de surface et même créer des piqûres si laissés sur le produit. Voici quelques conseils pour éviter cela si les instructions ne sont pas suivies à la lettre.

- **Essuyez régulièrement les surfaces extérieures avec un chiffon humide (les serviettes en microfibre fonctionnent bien).**
- **Laissez les surfaces sécher avant d'installer la housse. Ne couvrez pas un four humide.**
- **Dans des environnements extrêmes, appliquez un inhibiteur de rouille qui laisse une couche protectrice microscopique sur le four.aux surfaces.**

Après votre première utilisation, certaines zones du four peuvent se décolorer en raison de la chaleur intense dégagée par les brûleurs ; c'est normal et cela ne peut pas être nettoyé. Pour les taches alimentaires légères et lourdes, il existe de nombreux nettoyeurs pour acier inoxydable disponibles.

ENTRETIEN ET NETTOYAGE

NETTOYAGE INITIAL APRÈS INSTALLATION

- Lors de la première installation, retirez tous les plastiques de protection dès que possible.
- Nettoyez l'extérieur en acier inoxydable avec un nettoyant pour acier inoxydable (Barry's Restore All, Bar Keeper's Friend, Zep, ou autres) juste après l'installation.
- Nettoyez régulièrement l'extérieur.
- Allumez tous les brûleurs pendant 10 minutes pour brûler les huiles de production à l'intérieur du four.
- Le nettoyage intérieur est suggéré au minimum une fois par saison (en utilisant Simple Green) et un nettoyage intérieur en profondeur annuel.

NETTOYAGE INTÉRIEUR MENSUEL

- Mettez le four à haute température pendant 15 minutes et fermez la porte, comme pour les fours autonettoyants, pour brûler et décomposer toute accumulation intérieure de graisse et de résidus alimentaires.
- Laissez le four refroidir pendant environ 90 minutes.
- Essuyez les parois intérieures autour du brûleur et les parois latérales à l'aide d'un dégraissant ou d'un nettoyant pour four en acier inoxydable.
- Inspectez les brûleurs du bas. Brossez-les légèrement avec une brosse en acier inoxydable et nettoyez les trous des brûleurs, en vous assurant qu'aucun n'est obstrué.
- Utilisez une brosse en acier inoxydable ou un couteau à mastic pour gratter le bassin intérieur du four.
- À l'aide d'un aspirateur d'atelier, aspirez les résidus du bassin inférieur du four.
- Si désiré, rincez l'intérieur du four et laissez-le sécher.
- Après chaque utilisation, brûlez les débris et brossez pour nettoyer.
- N'utilisez aucun produit chimique de nettoyage sur la pierre du four.
- Nettoyez la pierre du four uniquement avec de l'eau.

NETTOYAGE EXTÉRIEUR DE L'ACIER INOXYDABLE

- Remplissez un seau d'eau tiède et de savon (Dawn ou Simple Green).
- À l'aide d'une serviette en microfibre ou d'une éponge humidifiée avec de l'eau savonneuse, essuyez la surface du four en suivant le grain du métal pendant que vous nettoyez.
- Rincez complètement avec de l'eau propre.
- Séchez avec une serviette en microfibre.
- L'utilisation de Barry's Restore All, Bar Keeper's Friend, Zep, ou d'autres nettoyants de qualité pour acier inoxydable aide à protéger la surface poreuse de l'acier inoxydable contre la décoloration.
- Couvrir le four avec un couvercle de four lorsqu'il n'est pas utilisé est un excellent moyen de protéger l'extérieur.

INFORMATIONS SUR LA ROUILLE

Des taches brunes semblables à de la rouille se forment lorsque l'oxygène entre en contact prolongé avec le fer dans un processus appelé oxydation. L'oxygène est apporté au métal par l'eau, soit sous forme d'eau liquide, soit sous forme de vapeur d'eau (pluie ou humidité). Le dioxyde de carbone dans l'air se combine avec l'eau pour former un acide carbonique faible, qui se décompose en hydrogène et oxygène. Ce processus, ainsi que certains minéraux et autres particules dans l'air, peut former des dépôts semblables à de la rouille sur la surface de l'acier inoxydable poreux, entraînant des taches brunes. Une autre cause est que l'oxygène libre se lie aux minéraux dissous et autres particules dans l'air pour former de l'oxyde de fer, ou des taches semblables à de la rouille, dans les pores.

La formation de taches brunes semblables à de la rouille peut également être favorisée par des crevasses architecturales, telles que les soudures polies et les bords de la surface métallique, qui peuvent piéger les liquides. Une fois que la rouille-comme des taches brunes se forment, la surface poreuse peut piéger des liquides supplémentaires, entraînant d'autres dépôts sur la surface en acier inoxydable.

Nettoyer régulièrement la surface extérieure avec un nettoyant pour acier inoxydable, en le vaporisant sur une serviette ou un chiffon en microfibre propre et en essuyant toute la surface extérieure, peut aider à nettoyer les pores. Ce nettoyage régulier devrait aider à garder l'acier inoxydable comme neuf, similaire à l'application de cire sur la surface peinte d'une voiture.

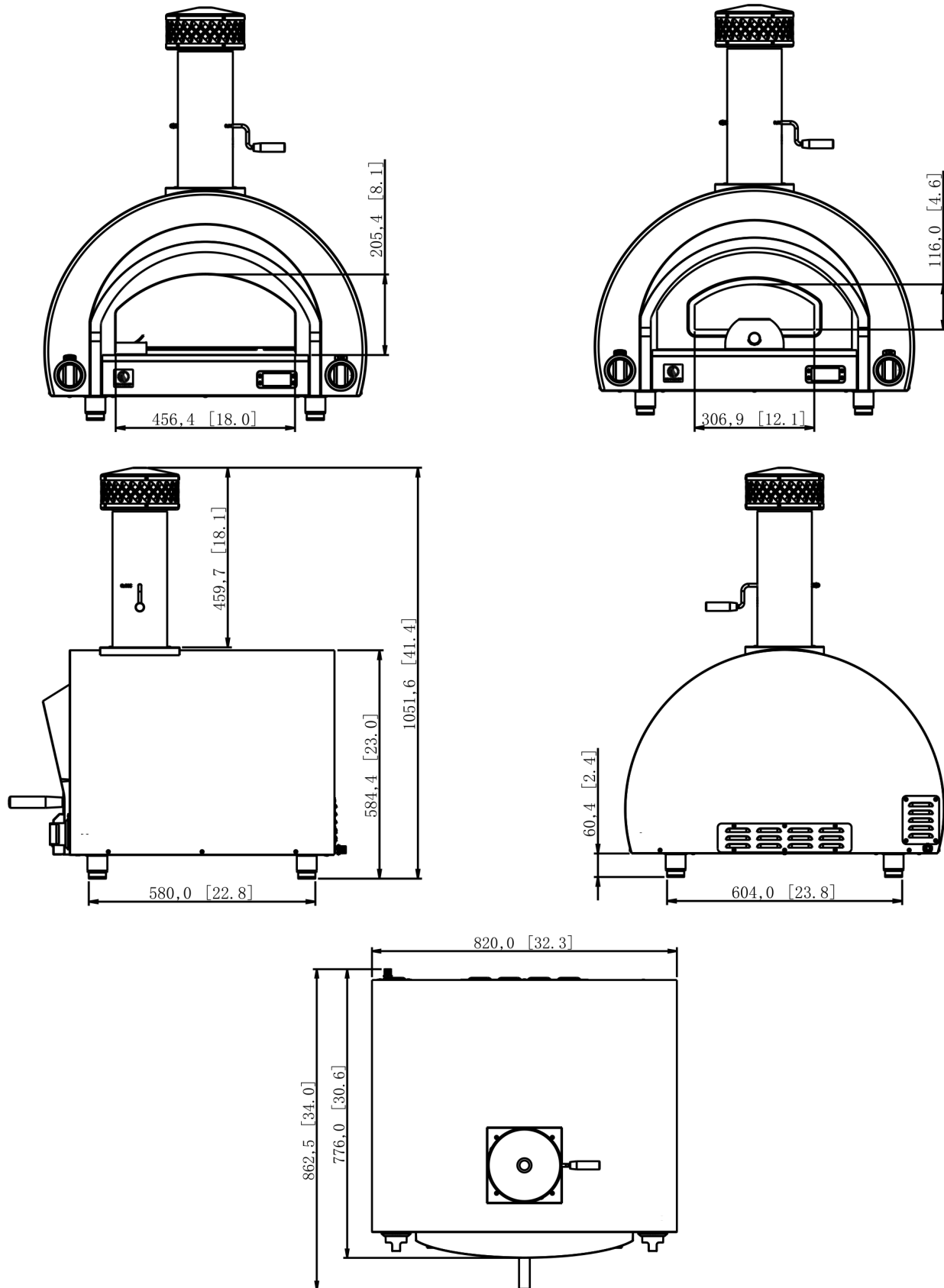
L'achat et l'utilisation de nettoyants et de polisseurs pour acier inoxydable de premier ordre, ainsi que de nettoyants et de rénovateurs pour la restauration de la finition en acier inoxydable, peuvent être nécessaires. peuvent être nécessaires.

ENLEVER LES TACHES OU POINTS QUI RESSEMBLENT À DE LA ROUILLE

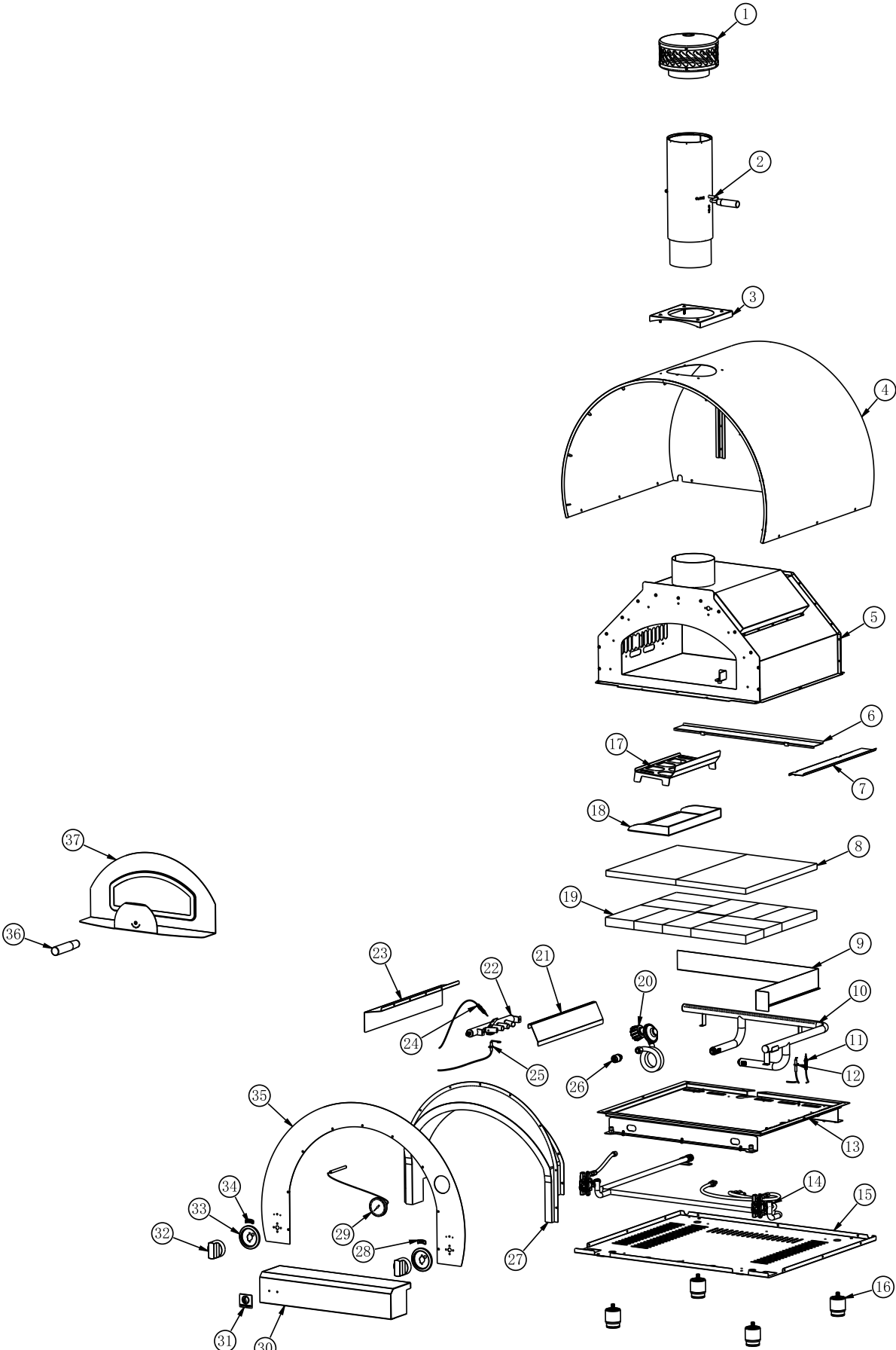
- Mélangez 1 cuillère à soupe de bicarbonate de soude dans 2 tasses d'eau.
- Frottez la solution de bicarbonate de soude sur la tache de rouille à l'aide d'une brosse à dents, en prenant soin de suivre le grain de l'acier inoxydable. Si la tache persiste, ajoutez du vinaigre, petit à petit, à une tasse de bicarbonate de soude jusqu'à obtenir une pâte homogène. Essuyez la tache avec la pâte et rincez avec une serviette en microfibre humide. Assurez-vous toujours d'essuyer dans le sens du grain de l'acier inoxydable.
- Lorsque la tache est enlevée, lavez toute la surface avec la solution de savon mentionnée ci-dessus. Pour l'accumulation de graisse, utilisez Zep sur la surface extérieure pour enlever.

DESSINS AU TRAIT

OV-HYB



PIÈCES ILLUSTRÉES



PIÈCES DE RECHANGE

ITEM	PART #	DESCRIPTION	QTY.
1	11742	ENSEMBLE DE VENTILATION D'ÉCHAPPEMENT	1
2	11743	ENSEMBLE DE LA CHEMINÉE	1
3	11744	SUPPORT DE CHEMINÉE	1
4	11745	COQUE EXTÉRIEURE	1
5	11746	ENSEMBLE DE FOYER	1
6	11747	COUVERCLE ARRIÈRE DU BRÛLEUR À GAZ	1
7	11748	COUVERCLE DE BRÛLEUR À GAZ DROIT	1
8	11749	PIERRE À PIZZA	2
9	11750	RÉDUCTEUR DE FLAMME	1
10	11751	ENSEMBLE DE BRÛLEUR À GAZ	1
11	11752	THERMOCOUPLE DE BRÛLEUR À GAZ	1
12	11753	ALLUMAGE DE BRÛLEUR À GAZ	1
13	11754	FOND DE LA CHAMBRE DE COMBUSTION	1
14	11755	ENSEMBLE DE VALVE À GAZ	1
15	11756	PLAQUE DE BASE	1
16	11757	ENSEMBLE DE PIEDS	4
17	11758	GRILLE À BOIS	1
18	11759	TIROIR À CENDRES	1
19	11760	PIERRE D'ISOLATION	12
20	11761	ENSEMBLE DE TUYAU AVEC RÉGULATEUR PL (MODÈLE PL SEULEMENT)	1
	11762	*RÉGULATEUR GN (MODÈLE GN SEULEMENT)	1
21	11788	COUVERCLE DE PROTECTION POUR BRÛLEUR	1
22	11763	ENSEMBLE DE BRÛLEUR À BOIS	1
23	11764	DÉFLECTEUR DE BRÛLEUR À BOIS	1
24	11765	THERMOCOUPLE DU BRÛLEUR À BOIS	1
25	11766	ALLUMAGE DU BRÛLEUR À BOIS	1
26	11767	RACCORD LP 1/2" X 5/8" (MODÈLE LP SEULEMENT)	1
27	11768	ASSEMBLAGE DE SOUDURE DU CADRE AVANT SOUDÉ	1
28	11769	INSIGNE DE GAZ	1
29	11770	THERMOMÈTRE	1
30	11771	PANNEAU AVANT	1
31	11449	PLAQUE AVEC LOGO	1
32	11445	BOUTON	2
33	11793	EMBELLISSEUR DE BOUTON	2
34	11772	INSIGNE DE BOIS	1
35	11773	PANNEAU DE CONTRÔLE	1
36	11774	POIGNÉE DE PORTE AVEC VIS	1
37	11776	ENSEMBLE DE LA PORTE	1

**Non illustré à la page 36

GARANTIE



Votre investissement dans les produits AMD Direct est soutenu par la garantie la plus solide de l'industrie. En plus d'une ingénierie de précision et d'une performance exceptionnelle, les produits AMD Direct incluent notre GARANTIE À VIE GOLD STANDARD avec toutes les pièces de rechange 100 % non-proratisées. Effectif pour les achats à partir du 01/03/23.

La garantie directe AMD est valide pour l'acheteur original au site de livraison initial avec preuve d'achat et documentation photo uniquement. Le formulaire d'enregistrement doit être soumis en ligne dans les 30 jours suivant la date d'achat pour valider la garantie. La garantie est annulée en cas de transfert de propriété. La garantie ne s'applique pas aux produits installés dans une application commerciale, locative ou non résidentielle qui n'ont pas été correctement entretenus. La garantie couvre uniquement les pièces de rechange. Le fabricant n'est pas responsable des coûts de main-d'œuvre ou des coûts liés à la main-d'œuvre. La garantie ne couvre pas la décoloration, la rouille de surface, la corrosion ou l'oxydation, qui peuvent survenir en raison d'environnements agressifs, de produits chimiques ou de surchauffe. La garantie ne s'appliquera pas pour les dommages résultant d'installations incorrectes, d'abus, d'environnements extrêmes, d'incendies de graisse ou de mauvaise utilisation. Une preuve d'entretien régulier et approprié est requise. Les environnements côtiers, humides et/ou salins sont soumis à l'examen du fabricant. Toutes les réclamations à la sortie de la boîte doivent être faites dans les 30 jours suivant l'achat et doivent être faites avant l'installation. Tout produit installé endommagé sera considéré comme endommagé lors de l'installation et ne sera pas couvert par la garantie. Les formulaires de garantie et d'enregistrement sont disponibles sur www.amddirect.com/register. Veuillez noter - tous les modèles d'exposition sont vendus « tels quels » et la garantie couvre uniquement les éléments suivants : brûleurs principaux (Garantie à vie Gold Standard), grilles (Garantie à vie Gold Standard), couvercles de brûleur (Garantie à vie Gold Standard). Toutes les garanties sont soumises à l'examen et à l'approbation du fabricant.

14520 DELTA LANE SUITE 105
HUNTINGTON BEACH, CA 92647
800.966.8126
AMDDIRECT.COM

APPAREILS À GAZ AMD DIRECT (BARBECUES, BRÛLEURS LATÉRAUX/DE PUISSANCE, PLAQUE DE CUISSON À GAZ & FOURS)

- **Garantie à vie Gold Standard** sur les défauts de construction et de fabrication
- **Garantie à vie Gold Standard** sur la construction en acier inoxydable
- **Garantie à vie Gold Standard** sur les grilles de cuisson, brûleurs, couvercles de brûleur, valves, pare-flammes, séparateurs de zones de chaleur, jauges de température, & ressorts de capot
- **Garantie à vie Gold Standard** sur les systèmes de briquettes
- **Garantie de 3 ans** sur toutes les autres pièces, composants et électriques, y compris : ampoules LED, faisceau de câbles et interrupteurs ; fil de source d'alimentation ; transformateur ; fil et ampoule de lumière halogène intérieure

HOTTES, RÉFRIGÉRATION, STOCKAGE À FROID ET ÉVIERS

HOTTES

- **Garantie de 5 ans** sur toute la construction en acier inoxydable
- **Garantie de 3 ans** sur les soufflantes, l'éclairage LED, le faisceau de câbles et les interrupteurs

MODÈLES DE RÉFRIGÉRATION 15" & 24"

- **Garantie de 3 ans** sur toute la construction, y compris les compresseurs
- **Garantie de 1 an** sur le transformateur, les ampoules LED, le faisceau LED, le fil de source d'alimentation, les interrupteurs LED, le fil/ampoules de lumière halogène intérieure

RÉFRIGÉRATION 21" & 22"

- **Garantie de 1 an** sur toute la construction et les composants électriques, y compris le compresseur, le transformateur, les ampoules LED, le faisceau LED, le fil de source d'alimentation, les interrupteurs LED, le fil/ampoules de lumière halogène intérieure

STOCKAGE À FROID & ÉVIERS

- **Garantie à vie Gold Standard** sur les glacières
- **Garantie à vie Gold Standard** sur les drains et robinets

TIROIRS, PORTES, DOUBLURES DE GRIL & CHARIOTS

- **Garantie à vie Gold Standard** sur la construction, la fabrication et les matériaux pour toutes les pièces en acier inoxydable, y compris les portes, tiroirs, doublures de gril, & chariots
- **Garantie de 3 ans** sur l'électrique (tiroirs chauffants)

HOUSSES

- **Garantie à vie Gold Standard** sur les housses, y compris les grils, chariots, brûleurs latéraux/puissants, plaque de cuisson à gaz & four

APPLICATIONS COMMERCIALES - GRILS À GAZ

- **Garantie à vie Gold Standard** sur la fabrication, la construction et les défauts de fabrication pour toutes les applications commerciales et/ou d'hospitalité
- La garantie est annulée en cas de mauvaise utilisation, y compris le manque de nettoyage régulier, le vandalisme ou le vol
- La garantie est valide uniquement si un entretien régulier est effectué. En raison de la nature des applications commerciales (utilisateurs multiples, manque de contrôle de l'utilisation, etc.), un entretien régulier est obligatoire

TABLEAU DE DIMENSIONNEMENT DES TUYAUX DE GAZ

GAZ NATUREL : TABLEAU DE DIMENSIONNEMENT DES TUYAUX

Longueur du tuyau en pieds	1/2"	3/4"	1"	1 - 1/4"	1 - 1/2"	2"	2 - 2 1/2"	3"	4"
10	108	230	387	793	1237	2259	3640	6434	-
20	75	160	280	569	877	1610	2613	5236	9521
30	61	129	224	471	719	1335	2165	4107	7859
40	52	110	196	401	635	1143	1867	3258	6795
50	46	98	177	364	560	1041	1680	2936	6142
60	42	89	159	336	513	957	1559	2684	5647
70	38	82	149	317	476	896	1447	2492	5250
80	36	76	140	239	443	840	1353	2315	4900
90	33	71	133	275	420	793	1288	2203	4667
100	32	68	126	266	411	775	1246	2128	4518
125	28	60	117	243	369	700	1143	1904	4065
150	25	54	105	215	327	625	1008	1689	3645
175	23	50	93	196	303	583	993	1554	3370
200	22	47	84	182	280	541	877	1437	3160
300	17	37	70	145	224	439	686	1139	2539

- Le débit de gaz naturel (GN) est indiqué en milliers de BTU/h = 1 pied cube de gaz naturel - 1000 BTU
- Pression nominale au brûleur pour le gaz naturel est de 3,5" de colonne d'eau. (L'alimentation typique d'une machine est de 5 à 7 pouces).
- La longueur du tuyau doit inclure longueur supplémentaire pour tous les raccords. Ajouter environ 5 pieds de tuyau par raccord.
- Gaz naturel Exemple : Une machine avec un brûleur qui nécessite 440 000 BTU nécessitent un tuyau de 1 -1/4" pour une longueur de 20".

PROPANE LIQUIDE : TABLEAU DE DIMENSIONNEMENT DES TUYAUX

Longueur du tuyau en pieds	1/2"	3/4"	1"	1 - 1/4"	1 - 1/2"	2"	2 - 2 1/2"	3"	4"
10	275	567	1071	2205	3307	6221	10140	17990	35710
20	189	393	732	1496	2299	4331	7046	12510	25520
30	152	315	590	1212	1858	3465	5695	10110	20620
40	129	267	504	1039	1559	2992	4778	8481	17300
50	114	237	448	913	1417	2646	4343	7708	15730
60	103	217	409	834	1275	2394	3908	6936	14150
70	89	185	346	724	1086	2047	3329	5908	12050
80	78	162	307	630	976	1811	2991	5309	10830
90	69	146	275	567	866	1606	2654	4711	9613
100	63	132	252	511	787	1496	2412	4281	8736
125	54	112	209	439	665	1282	2083	3618	7382
150	48	100	185	390	590	1138	1808	3210	6549
175	43	90	168	353	534	1030	1637	2905	5927
200	40	83	155	325	491	947	1505	2671	5450
300	37	77	144	303	458	887	1404	2492	5084

- Le débit de gaz propane liquide (LP) est indiqué en milliers de BTU/h = 1 pied cube de gaz de pétrole liquéfié -2500 BTU.
- Ce tableau se réfère à la basse pression LP, après régulation, pression nominale standard au brûleur pour le liquide. Le gaz propane a une colonne d'eau de 11 pouces.
- La longueur du tuyau doit inclure la longueur supplémentaire pour tous les raccords. Ajouter environ 5 pieds de tuyau par raccord.
- Exemple LP : Une machine avec un brûleur qui nécessite 440 000 BTU aurait besoin d'un tuyau de 1" pour une longueur de 20 pieds.

REMARQUE : Les tableaux de dimensionnement ci-dessus indiquent les dimensions spécifiques des tuyaux nécessaires pour la quantité de BTU d'une nouvelle installation de gaz. Si vous utilisez une conduite de gaz existante, vous devez prendre en considération les capacités de la conduite de gaz existante pour vous assurer que vous aurez la bonne quantité de BTU.pression.

Nous vous recommandons de consulter un plombier ou un monteur de gaz agréé ou la norme NFPA54 (National Fuel Gas Code -édition actuelle) pour plus de détails.



Pour plus d'informations, visitez :
SUMMERSETGRILLS.COM

**AMD Direct, Inc.
14520 DELTA LANE SUITE 105
HUNTINGTON BEACH, CA 92647
800.966.8126**